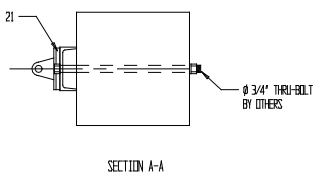
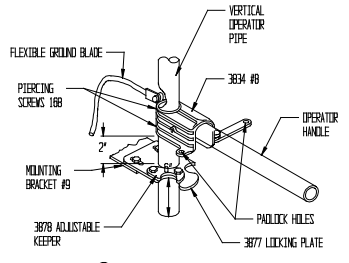


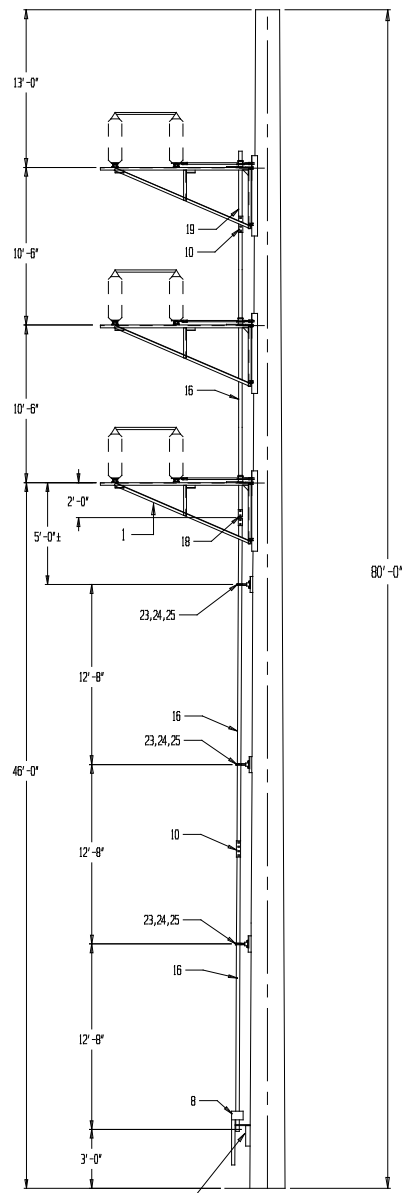
SWITCH FRAME DETAIL
(SHOWN AT BOTTOM PHASE)



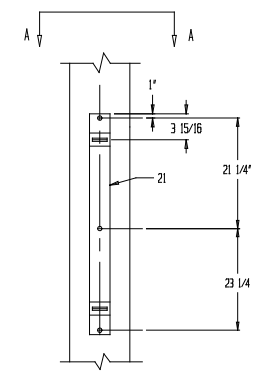
SECTION A-A



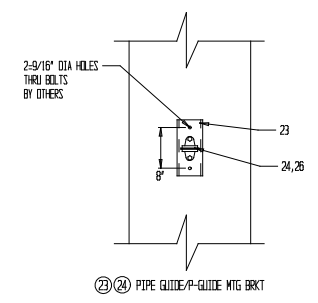
OPERATOR HANDLE DETAIL



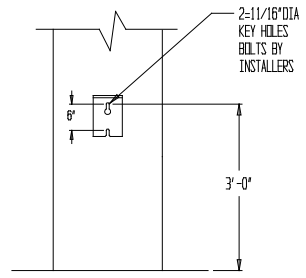
9,26- SEE OPER. DETAIL AND SECTION A-A



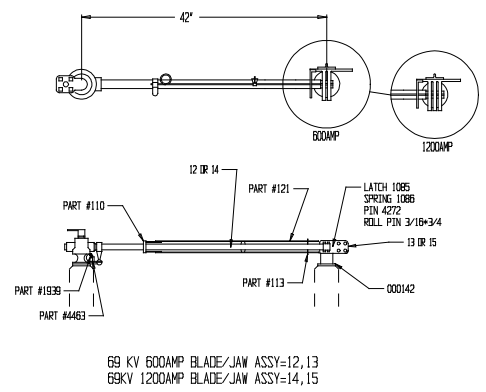
13/16" DIA. HOLES FOR 3/4" DIA. THRU BOLTS
FOR SWITCH MOUNTING



PIPE GUIDE/P-GUIDE MTG BRKT



OPER. MTG. BRKT. DETAIL



69 KV 600AMP BLADE/JAW ASSY=12,13
69KV 1200AMP BLADE/JAW ASSY=14,15

QTY	PART	MATERIAL	ITEM	DESCRIPTION
-	-	-	32	-
-	-	-	31	-
-	-	-	30	-
-	-	-	29	-
-	-	-	28	-
-	-	-	27	-
8	B	GALV	26	CARRIAGE BOLT 1/2"-13x1 1/2" N,L/W
6	6	GALV	25	MACHINE BOLT 1/2"-13 X 1 1/2" N,L/W
3	3	ALUM	24	PIPE GUIDE ASSY
3	3	ALUM	23	PIPE GUIDE MTG BRKT
-	-	-	22	-
3	3	A1481	21	SWITCH FRAME POLE MTG BRKT
6	6	-	20	INSULATORS (TR216)
1	1	RM301380	19	2" IPS SCH.40 PIPE @ 3'-0"
1	1	A9277	18	U-JOINT ASSY
-	-	RM301380	17	2" IPS SCH.40 PIPE @
3	3	RM301380	16	2" IPS SCH.40 PIPE @ 21'- 0"
3	-	A9578	-	15 69/161KV 1200 AMP RH JAW ASSY
3	-	A9558	-	14 69KV 1200AMP RH BLADE W/O JAW
-	-	A9528	-	13 69/161KV 600 AMP RH JAW ASSY
-	-	A9508	-	12 69KV 600AMP RH BLADE W/O JAW
3	3	RM301280	11	REACH ROD 3/4" IPS SCH.40 @ 40"
2	2	A9259	10	PIPE COUPLING ASSY.
1	1	A9266	9	OPER MOUNTING ASSY STD
1	1	A9264	8	OPERATOR HANDLE ASSY
1	1	A9248	-	7 THRUST BEARING ASSY w/1443 MTG., TOP
3	3	A9255	6	PIPE LEVER ASSY
6	6	A9252	5	3/4" CLEVIS ASSY
2	2	000220ATX	4	PHASE GUIDE, MIDDLE & BOTTOM
3	3	A9233	3	PIVOT ASSY 1LVR (483)
3	3	00087520MWH	2	INSULATOR PEDESTAL
3	3	A9304	1	AD-69-6/12 FRAME ASSY.

REVISIONS	DATE	BY	MRK	69 KV	600/1200
1	2-26-99				

1AD06906/1237 SIDE BREAK SW. RH B LAM. W.P. w/THRU BOLT MTG.

TURNER ELECTRIC CORPORATION
FAIRVIEW HEIGHTS, IL., USA