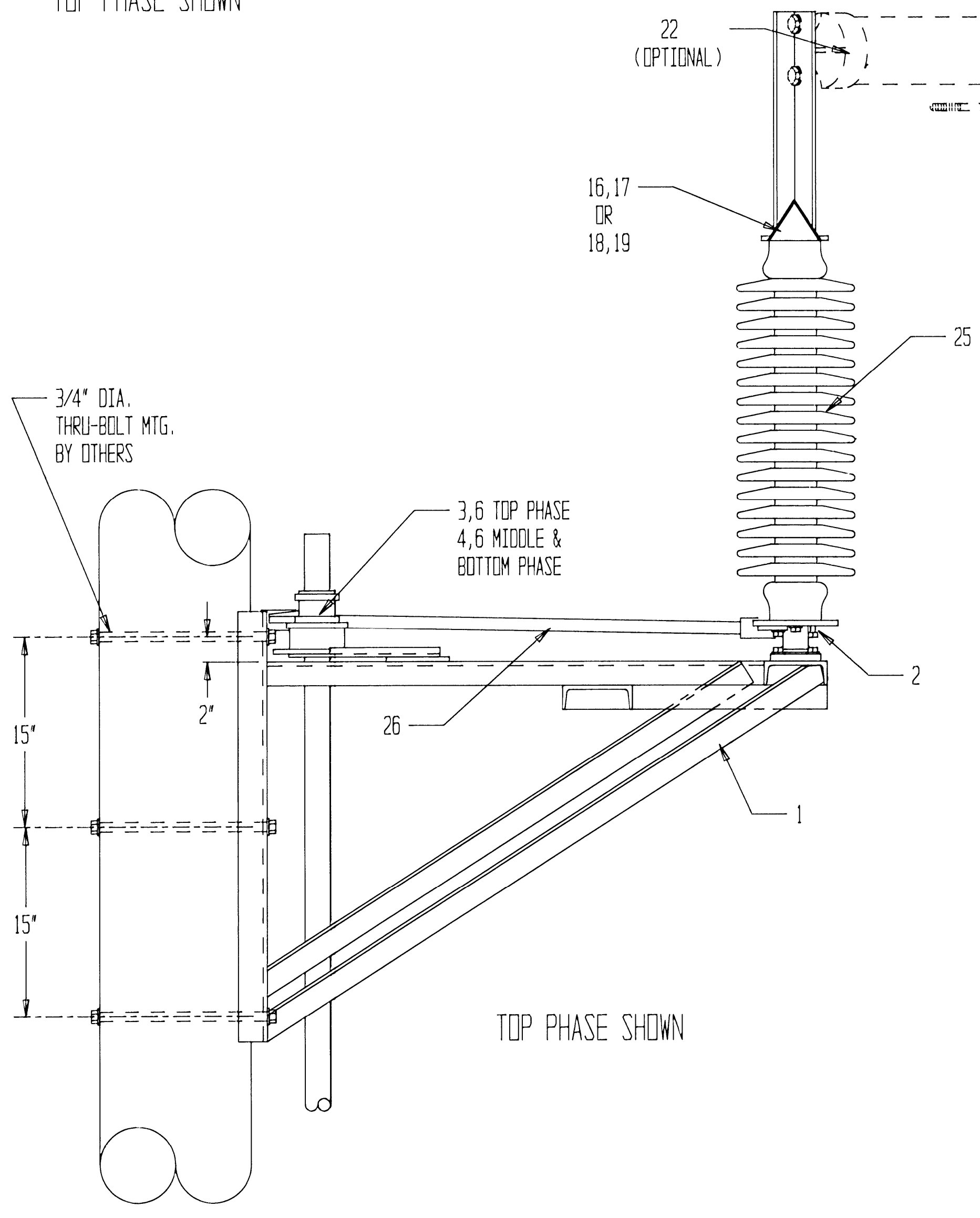
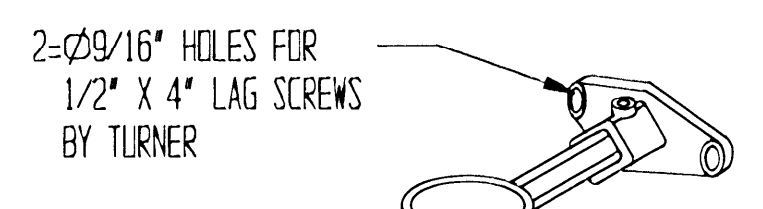


69 KV RIGHT HAND BLADE ASSY

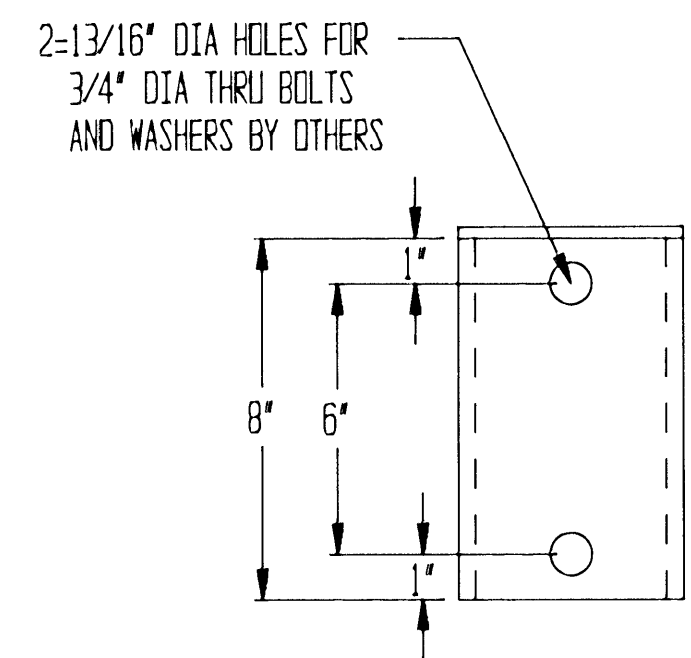
TOP PHASE SHOWN



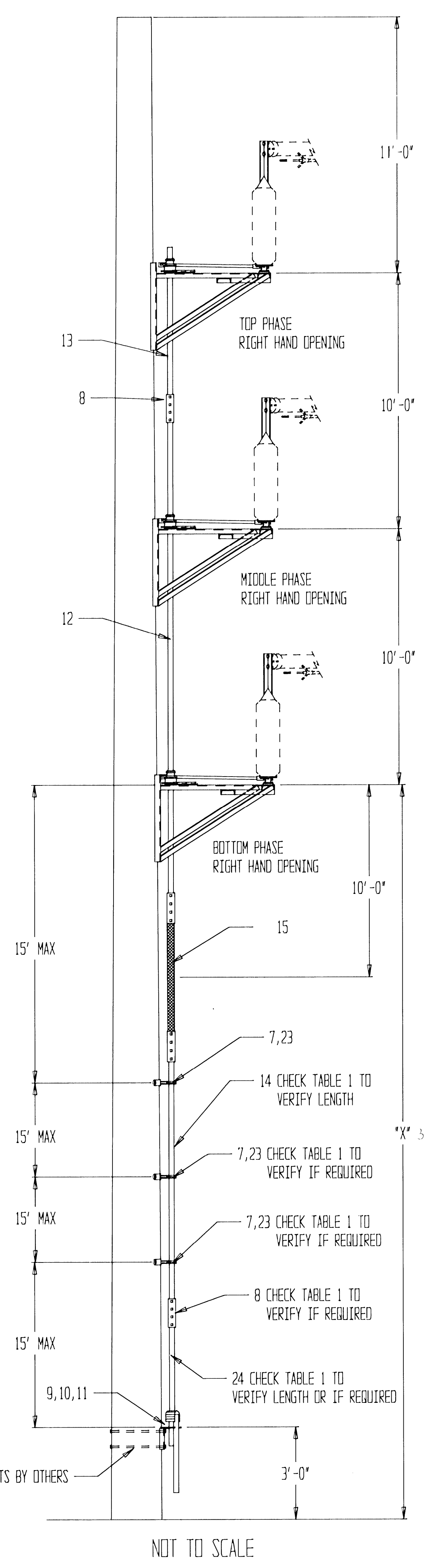
TOP PHASE SHOWN



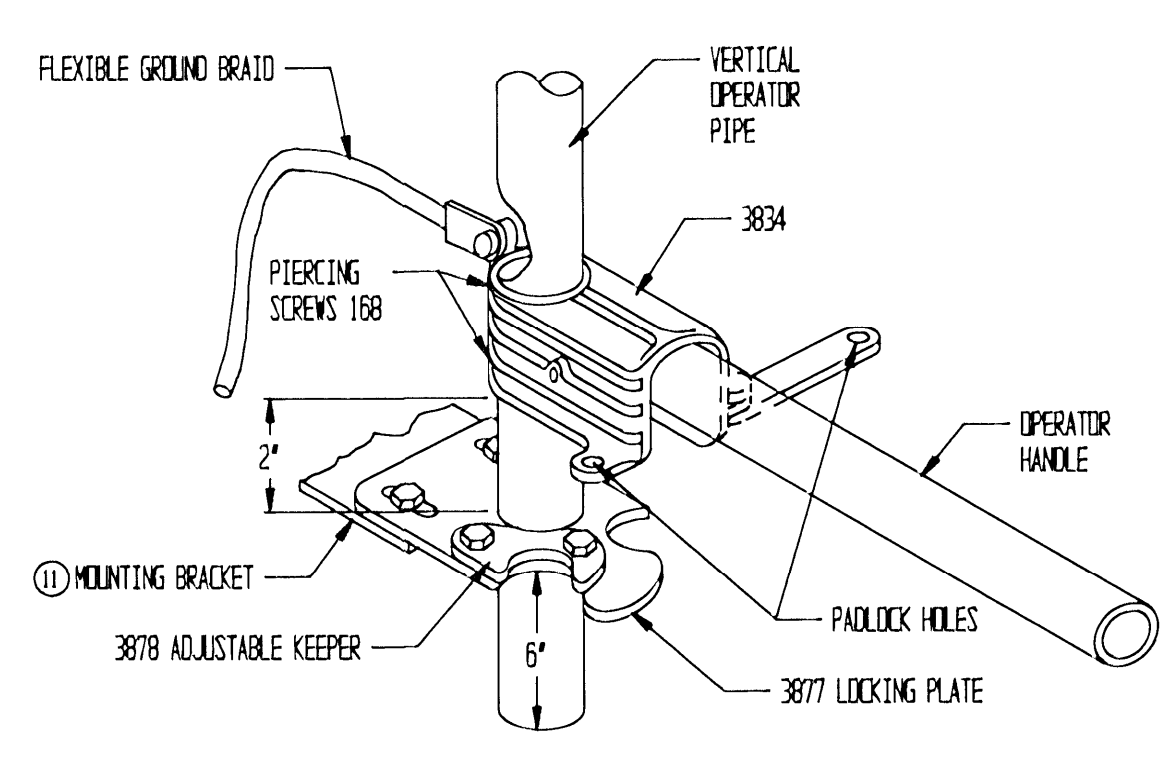
⑦ PIPE GUIDE ASSY



⑪ OPER. MTG. DETAIL



NOT TO SCALE



⑨ ⑩ OPERATOR HANDLE DETAIL

QTY	PART	MATERIAL	ITEM	DESCRIPTION
	1	21301380	GALV	22 2" SCH. 40 VERT. OPER. PIPE @ 7'-0" (EXTRA)
	3	9696AX	ALUM	28 TERMINAL PAD EXTENSION PLATE
	3	3946A	ALUM	27 INTERRUPTER MOUNTING BRACKETS
	3	RM301280	GALV	26 3/4" SCH. 40 REACH ROD @ 50"
	6	MP250560	-	25 69KV INSULATOR
	*	RM301380	GALV	24 2" SCH. 40 VERT. OPER. PIPE (SEE TABLE 1 FOR QUANTITY & LENGTH)
	*	-	GALV	23 1/2" X 4" LAG BOLTS (SEE TABLE 1 FOR QUANTITY)
	3	D6971TN/41609R	-	22 TECO-INTERRUPTER (OPTIONAL) DRAWING #9686
	3	967SDXMG6	GALV	21 STATIONARY INSULATOR PEDESTAL
	3	142SDXMG	GALV	20 CONTACT PEDESTAL
	3	9616	-	19 69KV 1200 AMP RH JAW ASSY.
	3	9615	-	18 69KV 1200 AMP RH BLADE W/O JAW
	3	9632	-	17 69KV 600AMP RH JAW ASSY.
	3	9648	-	16 69KV 600AMP RH BLADE W/O JAW
	1	A9263	FIBERGLASS	15 8'-0" TGI
	*	RM301380	GALV	14 2" SCH. 40 VERT. OPER. PIPE (SEE TABLE 1 FOR QUANTITY & LENGTH)
	1	RM301380	GALV	13 2" SCH. 40 VERT. OPER. PIPE @ 6'-0"
	1	RM301380	GALV	12 2" SCH. 40 VERT. OPER. PIPE @ 21'-0"
	1	009670AX	ALUM	11 OPERATOR MTG. BRKT.
	1	A9269	ALUM	10 OPER. LOCKING PLATE ASSY.
	1	A9264	GALV	9 OPERATOR HANDLE ASSY.
	*	A9259	GALV	8 PIPE COUPLING ASSY. (SEE TABLE 1 FOR QUANTITY)
	*	A9257	GALV	7 PIPE GUIDE ASSY. (SEE TABLE 1 FOR QUANTITY)
	3	A9255	GALV	6 7" PIPE LEVER
	6	A9252	GALV	5 CLEVIS ASSY.
	2	000220ATX	GALV	4 PHASE GUIDE ASSY.
	1	A9248	GALV	3 THRUST BEARING ASSY. W/1443 MTG.
	3	A9233	ALUM	2 PIVOT ASSY. 3" B.C. 1 LEVER
	3	A9358	ALUM	1 WOOD FRAME ASSY. 1CDF-69-6/12

QUANTITY	PART	MATERIAL	ITEM	DESCRIPTION
1200 AMP				
600 AMP				
CUSTOMER P.C.				SERIAL NUMBER:

REVISIONS	DATE	BY	MARK
REDRAWN PER APPROVAL DWG	6-8-94	MCK	A
REVISED PER FINAL APPROVAL	6-22-94	LD	B
ADDED NEW CAT. NO.	8-26-91	MCK	C
ADDED EXTRA 7" PIPE & COUP.	3-23-93	MCK	D

DRAWING # **SK840803**
 DATE 5-31-94
 BY MCK
 APP'D BY WTD
 DATE 6-9-94

TURNER ELECTRIC CORPORATION
 FAIRVIEW HEIGHTS, IL., USA
 REV E PER APP. 10/1/98 JJH
 PER IP (ETS 11-2.3)

POLE HEIGHT	'X' DIM	ITEM 14 QTY	ITEM 24 QTY	ITEM 7 QTY	ITEM 8 QTY	ITEM 23 QTY
75'	35'-0"	1	16'-6"	0	N/A	1
80'	40'-0"	1	21'-0"	0	N/A	2
85'	43'-0"	1	21'-0"	1	5'-6"	2
90'	47'-0"	1	21'-0"	1	10'-0"	3