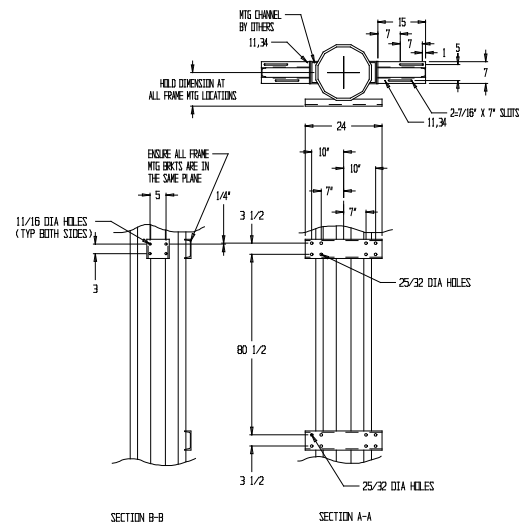


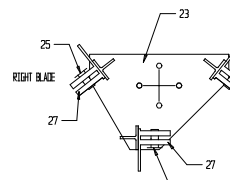
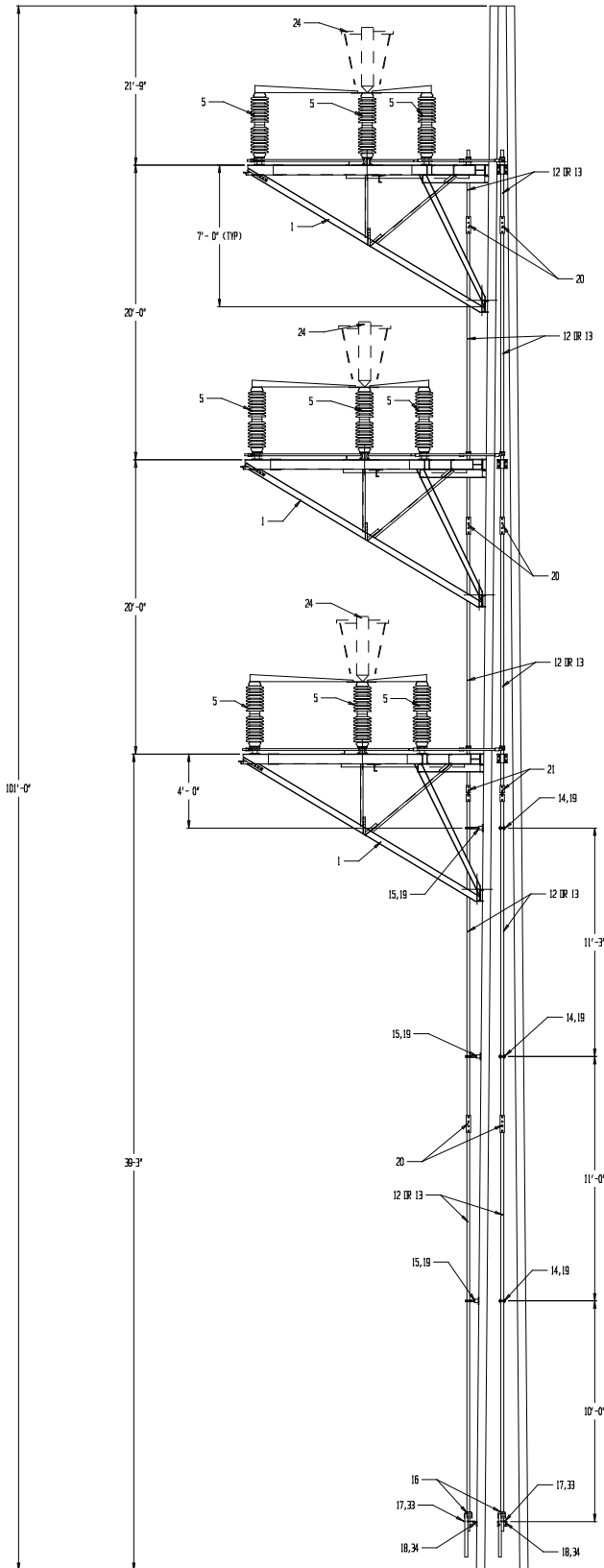
MOTOR OPERATOR DETAIL (OPTIONAL)



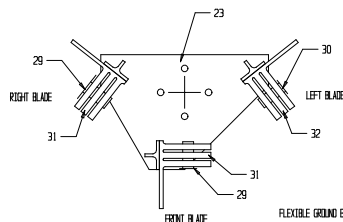
SECTION B-B

SECTION A-A

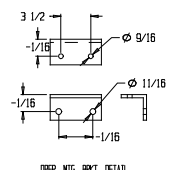
NOTE: ALL POLE BRACKETS ARE SUPPLIED BY STEEL POLE MANUFACTURER



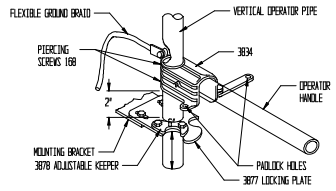
600AMP CONTACT PLATE ASSY



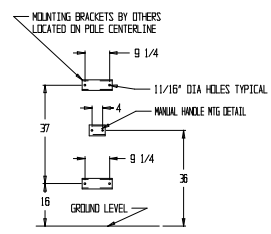
1200AMP CONTACT PLATE ASSY



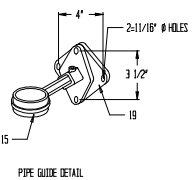
OPER. MGT. BRKT. DETAIL



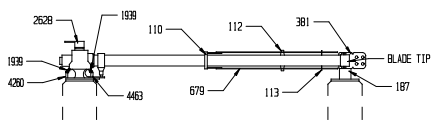
16 OPERATOR HANDLE DETAIL



MOTOR OPERATOR MOUNTING DETAIL



PIPE GUIDE DETAIL



115 KV BLADE ASSY
RIGHT HAND SHOWN, LEFT HAND TYPICAL

TO:		CUSTOMER P.O.#		SERIAL NUMBER: CD-73520	
REVISIONS	DATE	BY	MARK	115 KV	600/1200 AMP
REDRAWN TO CAD	5-23-02	NJR	A	3011506/3160 & 3011512/3160	
C-1 & C-11 WERE 2 1/4"	2-20-06	NJR	B	ON STEEL POLE CONTROL MECHANISM	
ADD NOTE TO HOLD DIM. AT FRAME MGT. LOC.	6-15-06	NJR	C		
ADD NARROW FLATWASHERS TO BELTS LIST	8-25-06	NJR	D		
DRAWING #	DATE	TURNER ELECTRIC CORPORATION			
SK830728	5-23-02	FAIRVIEW HEIGHTS, IL., USA			
SHEET 2 OF 2	DATE				