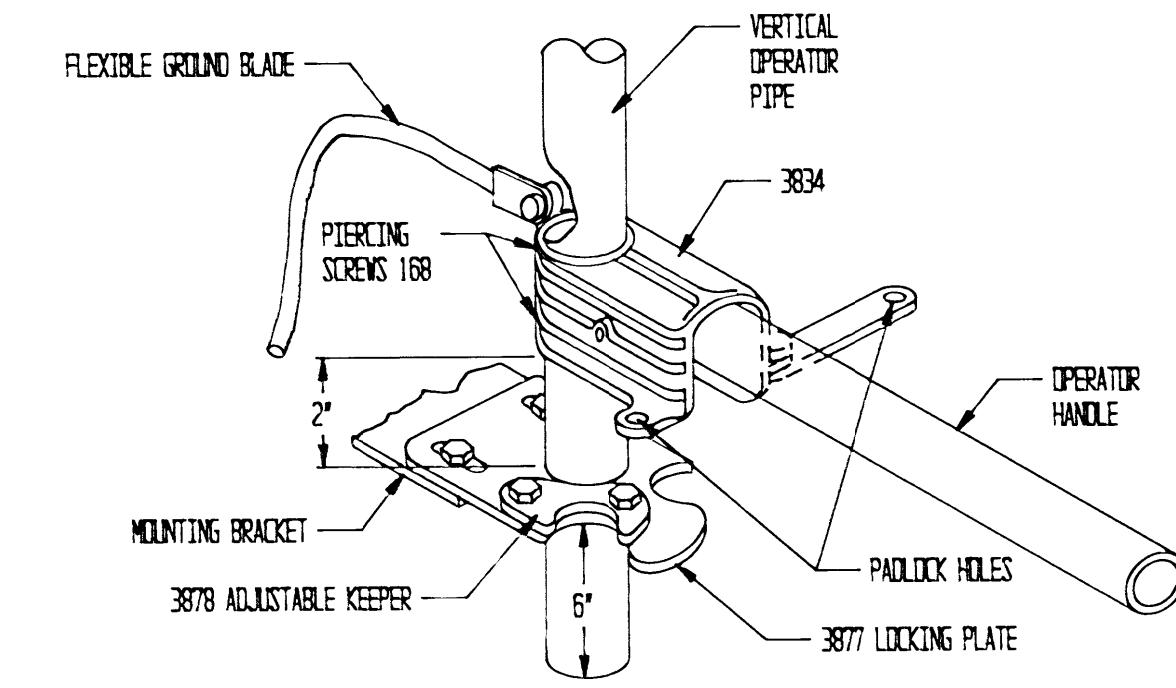
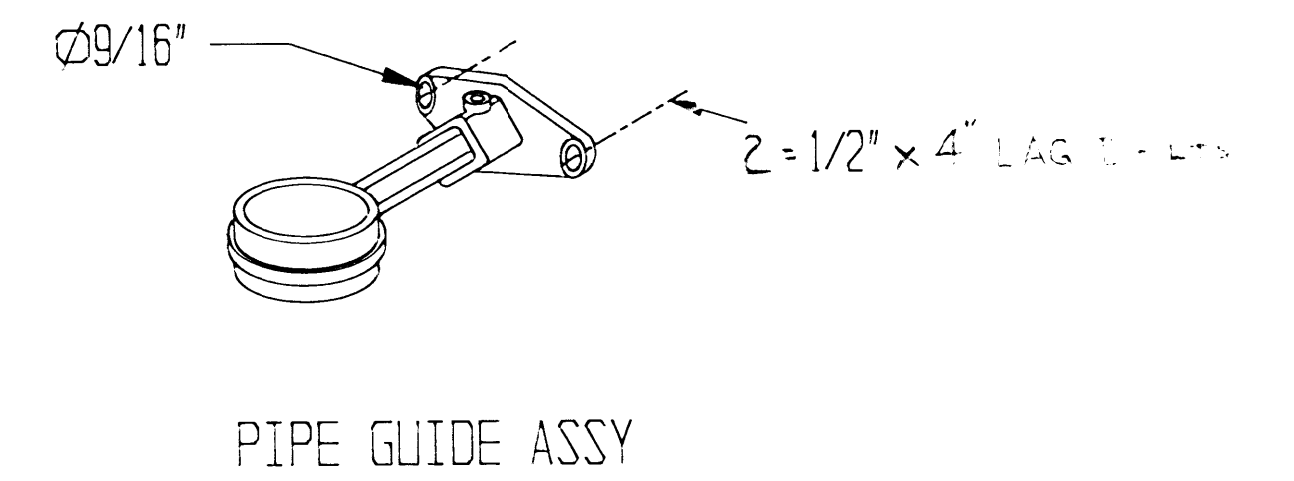
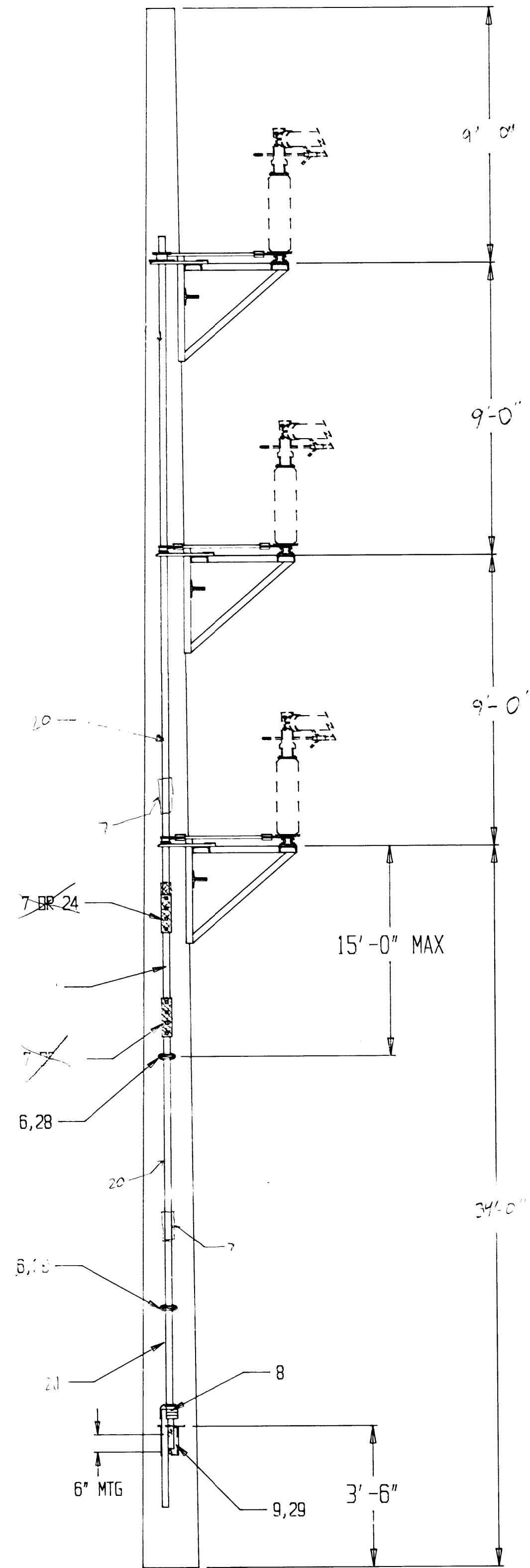
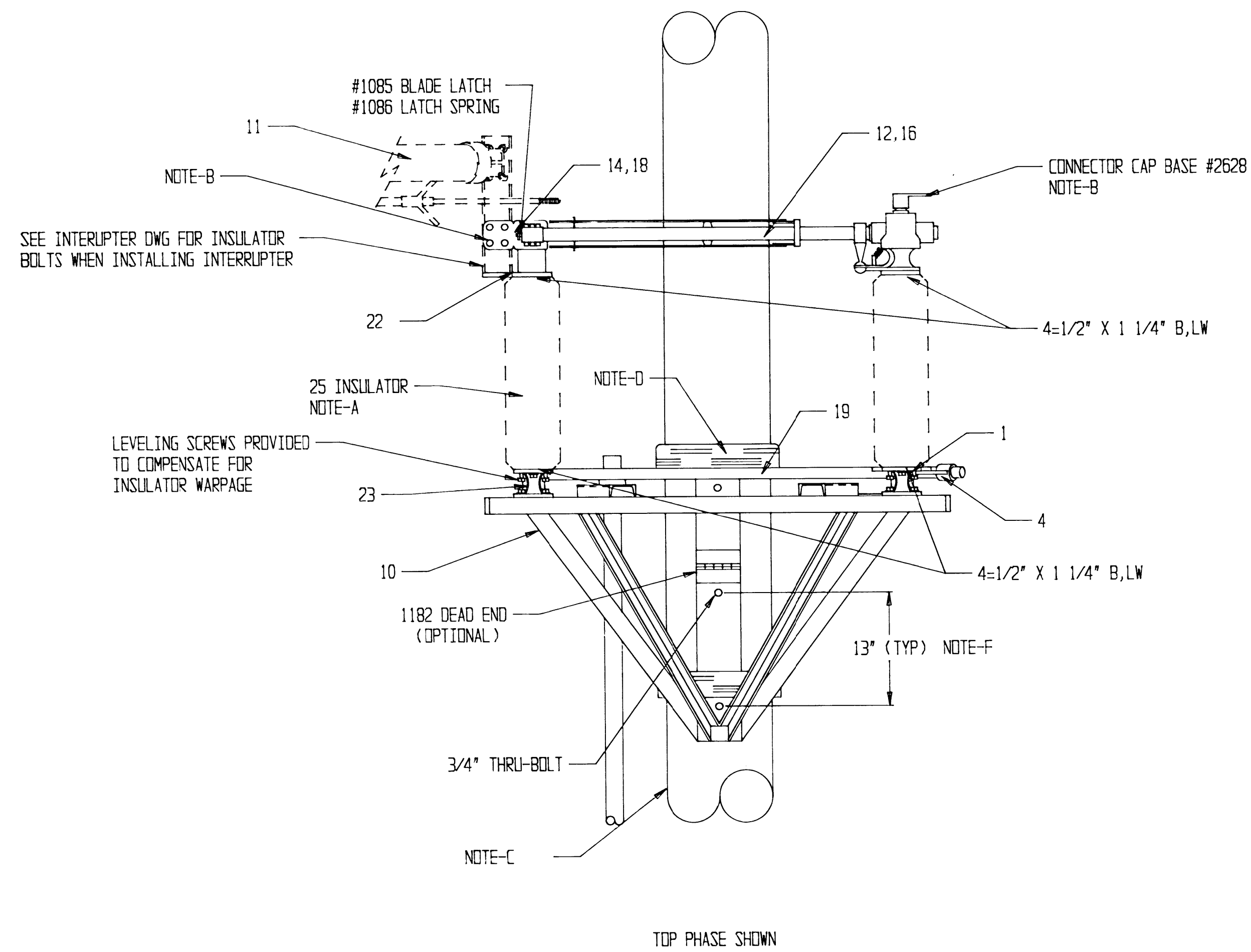
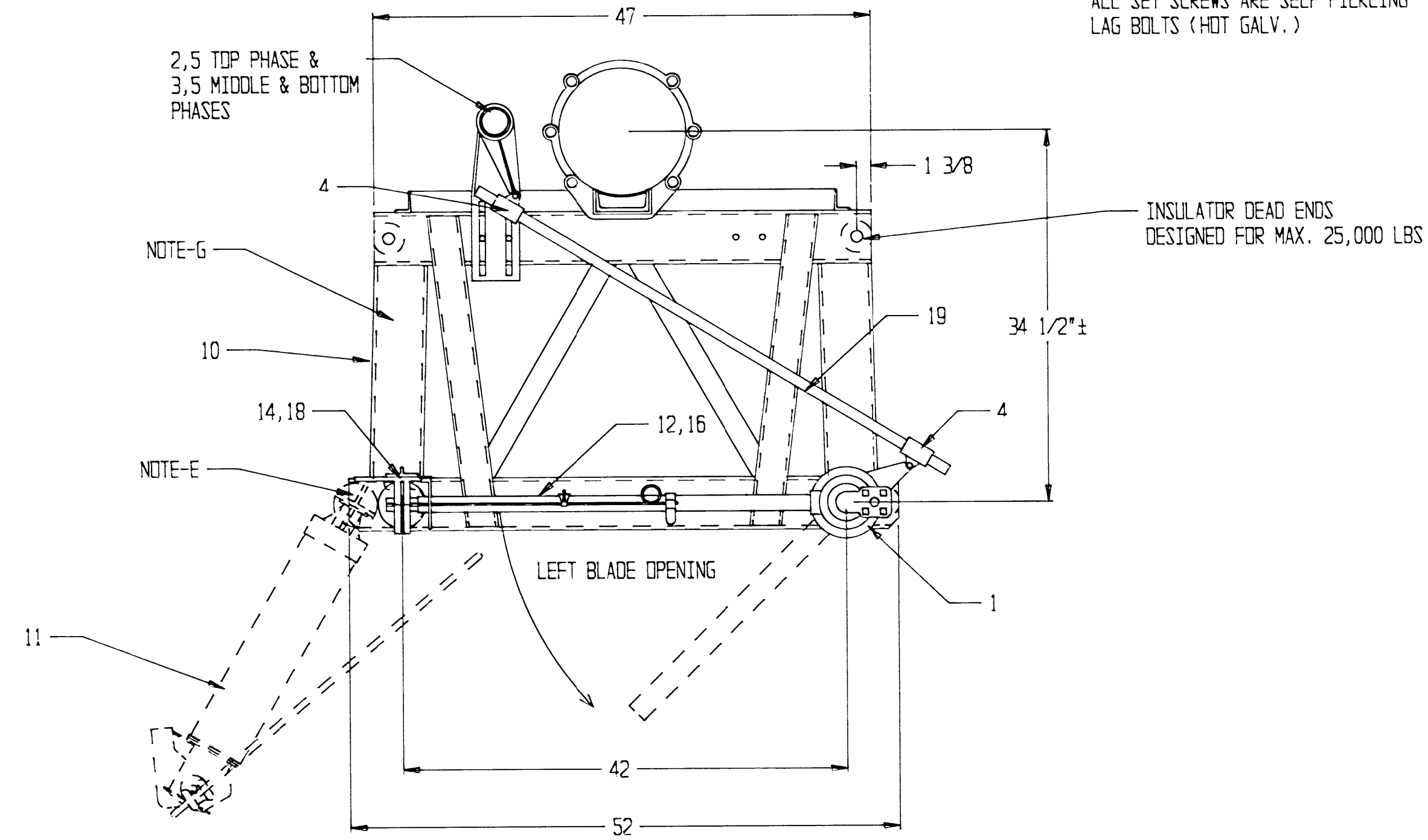


MATERIALS FURNISHED WITH SWITCH
 THRUST BEARINGS & PHASE GUIDES
 GROUND CONNECTORS
 STD. OPERATING PIPE AND COUPLING
 (2" PIPE-46" LONG)
 OPERATING HANDLE GROUNDING UNIT
 ALL SET SCREWS ARE SELF PIERCING
 LAG BOLTS (HDT GALV.)

NOTES:
 A- STATION POST INSULATORS ON A 3" BOLT CIRCLE
 B- TINNED COPPER TRANSITIONAL PADS SUPPLIED
 FOUR BOLT CONNECTORS OPTIONAL
 C- SUGGESTED POLE CLASS SIZES FOR SWITCH
 MOUNTING ARE CLASS 1 OR 2
 D- POLE BANDS OPTIONAL
 E- DEAD END HERE FOR CORNER SWITCH INSTALL.
 F- CENTERS FOR 3/4" THRU-BOLT MTG. THRU BOLTS BY OTHERS.
 G- FRAMES ARE WELDED FROM STRUC. ALUM. 6061-T6



					30	
	2	2		GALV	29	5" X 5/8" LAG BOLT
	6	6		GALV	28	4" X 1/2" LAG BOLT
					27	1/2" X 1 1/2" ANCHOR BOLT
					26	
	6	6	MP250560		25	INSULATORS
			A9262	FIBERGLASS	24	6'-0" IGI (OPTIONAL)
	3	3	96730	GALV	23	STATIONARY CONTACT INSUL. PED.
	3	3	14230	GALV	22	CONTACT PEDESTAL
	1	1	RM301380	GALV	21	2" SCH 40 VERT. PIPE @ 4'-6"
	2	2	RM301380	GALV	20	2" SCH 40 VERT. PIPE @ 21'-0"
	3	3	RM301280	GALV	19	3/4" SCH 40 REACH ROD @ 56"
	3		A9579	GALV	18	68KV 1200AMP LH JAW ASSY
					17	2" SCH 40 VERT. PIPE @ 17'-6"
	3		A9559	GALV	16	68KV 1200AMP LH BLADE W/O JAW
					15	
		3	A9529	GALV	14	68KV 600AMP LH JAW ASSY
			A9260		13	4'-0" IGI ASSY
		3	A9509	GALV	12	68KV 600AMP LH BLADE W/O JAW
			06911TN		11	TECU INTERRUPTER KIT #6671 (OPTIONAL)
	3	3	A9314	ALUM	10	MP/CP FRAME ASSY 1CD-68-6/12 W/1433 MTG.
	1	1	A9267	GALV	9	OPERATOR MTG. (3879) BRKT. ASSY
	1	1	A9264	GALV	8	OPERATOR HANDLE ASSY
	3	2	A9259	GALV	7	PIPE COUPLING ASSY.
		2	A9257	GALV	6	PIPE GUIDE ASSY.
	3	3	A9255	GALV	5	7" PIPE LEVER ASSY.
	6	6	A9252	GALV	4	CLEVIS ASSY
	2	2	A9250	GALV	3	PHASE GUIDE ASSY
	1	1	A9249	GALV	2	THRUST BEARING ASSY W/1443 MTG. & G.P.
	3	3	A9233	ALUM	1	PIVOT ASSY. 3" B.C. 1 LEVER (3 @ 483)

QUANTITY	PART	MATERIAL	ITEM	DESCRIPTION
1200 AMP				
600 AMP				
CUSTOMER:				SERIAL NO.:
REVISIONS				DATE BY MARK
DRAWING #				68 KV
BY MCK				12-01-94
APP'D BY WSO				DATE
DRAWING # SK42574				1CD06906/12/1816 ON WOOD POLE LEFT HAND SWITCH
SHEET 1 OF 1				TURNER ELECTRIC CORPORATION FAIRVIEW HEIGHTS, IL., USA