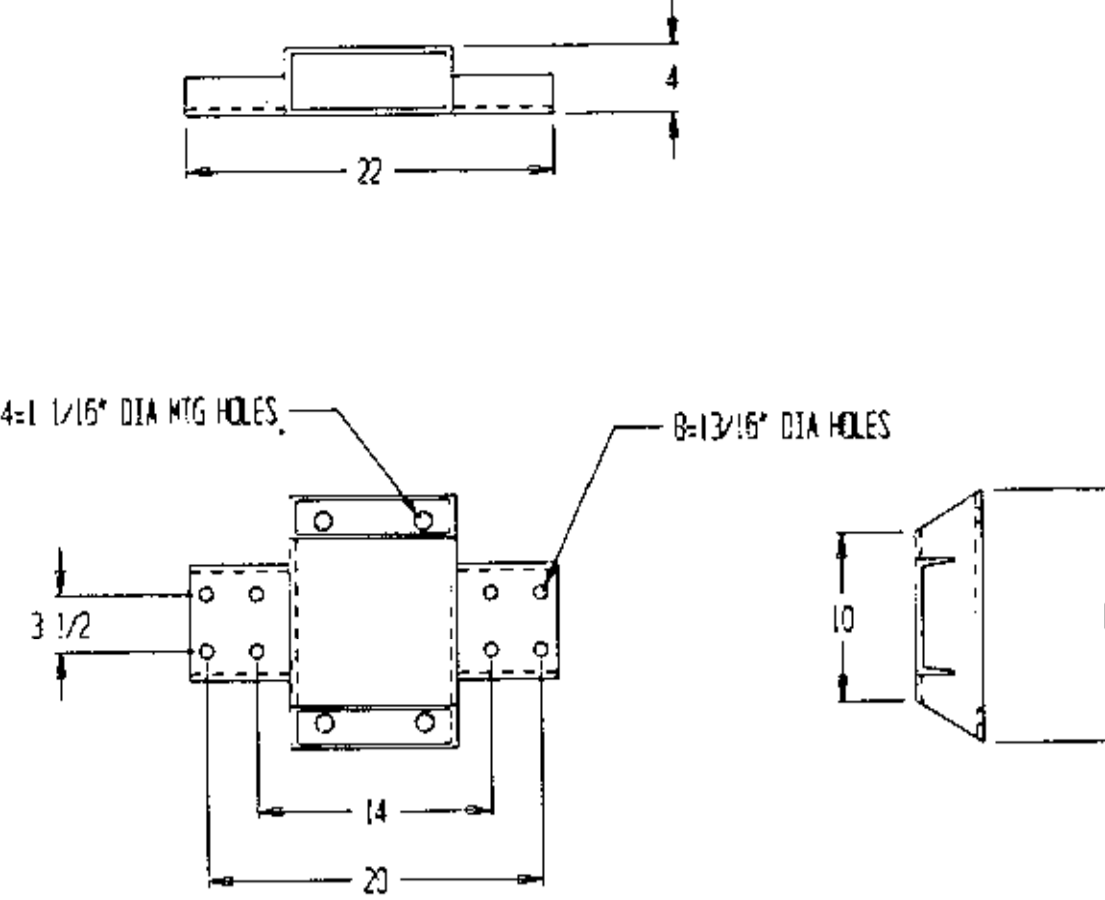
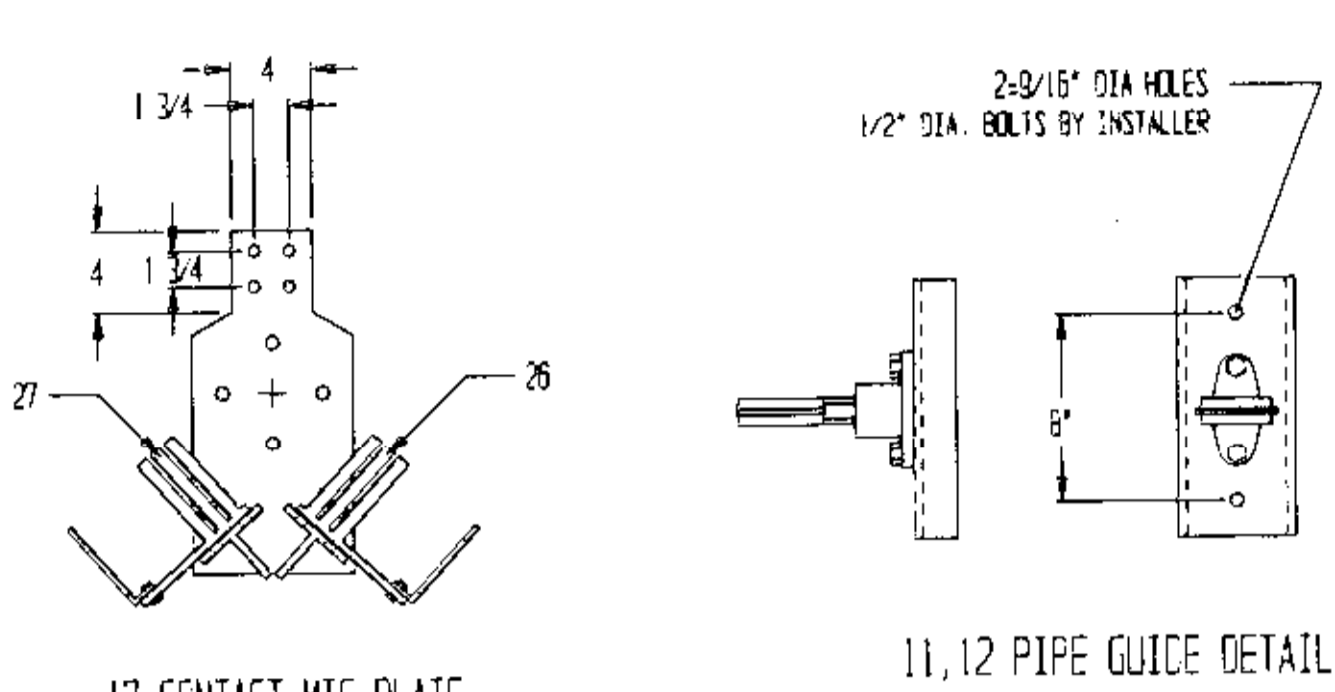


SECTION A-A  
FRAME MOUNTING DETAIL

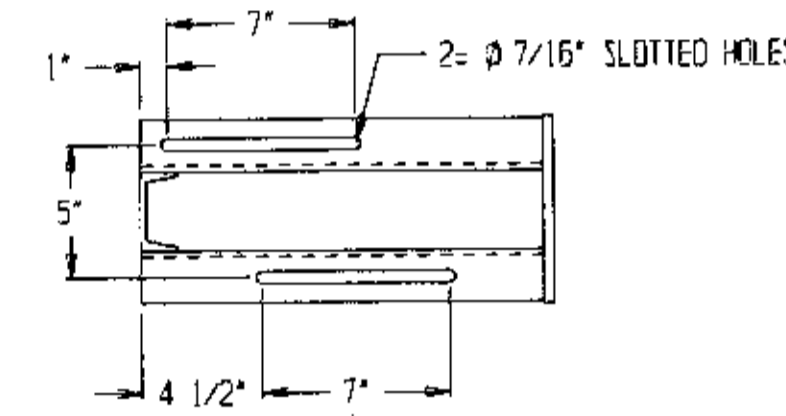


4 SWITCH FRAME MTG BRKT DETAIL

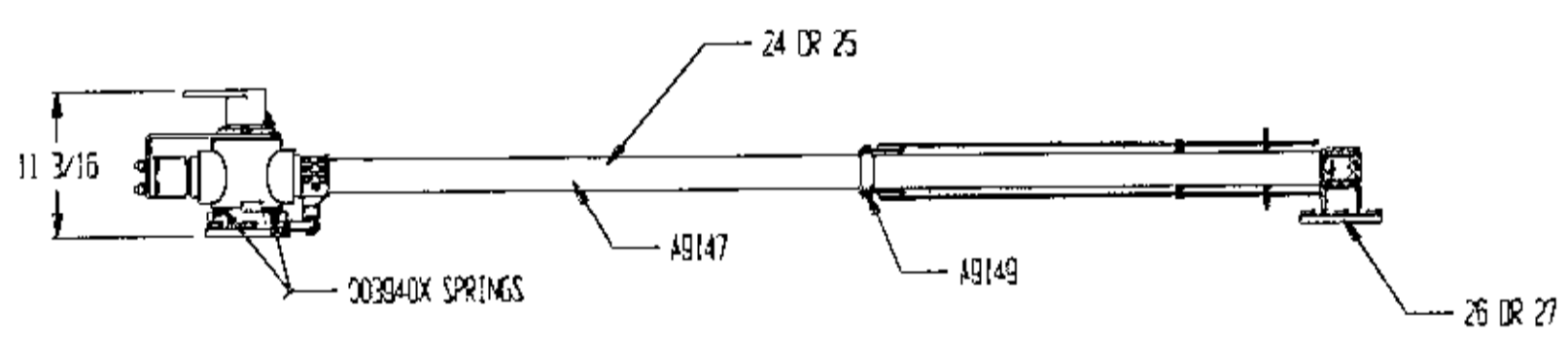


17 CONTACT MTG PLATE

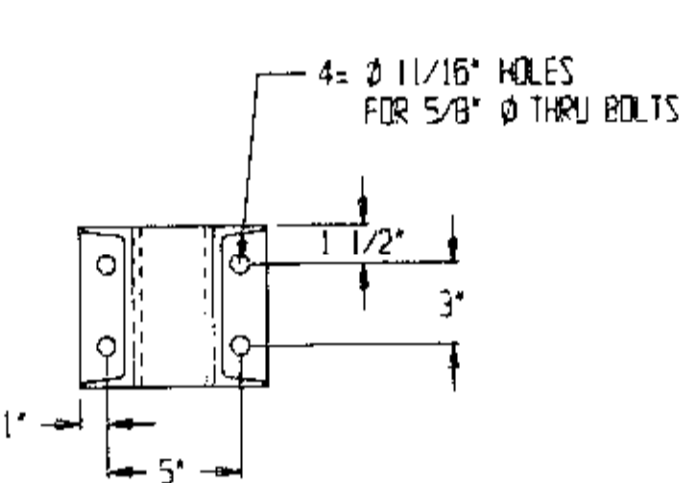
11, 12 PIPE GUIDE DETAIL



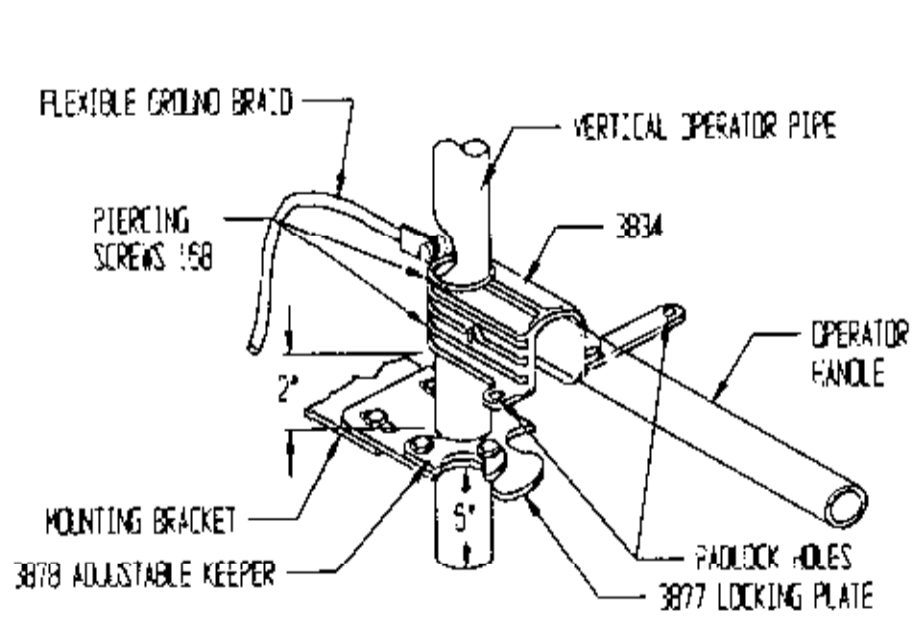
8 PG/16 MTG BRKT DETAIL



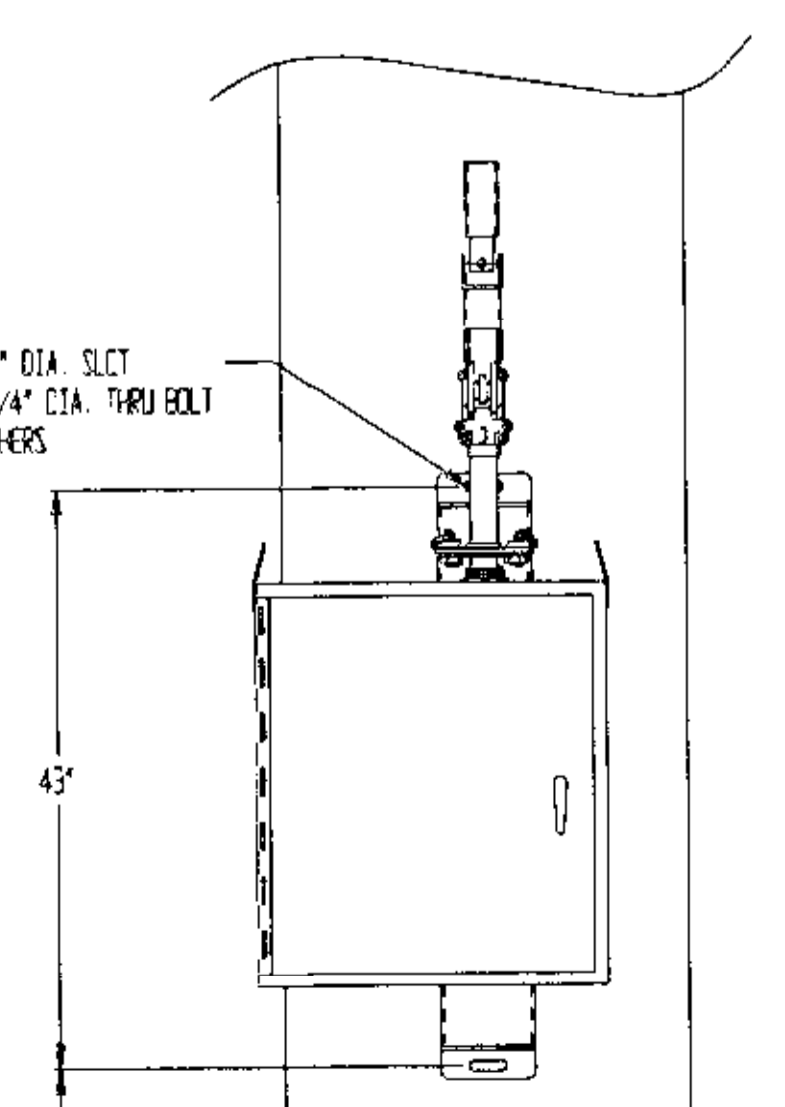
24, 26; 25, 27 20-16KV-1200A BLADE ASSY DETAIL  
RIGHT HAND SHOWN  
LEFT HAND MIRROR IMAGE



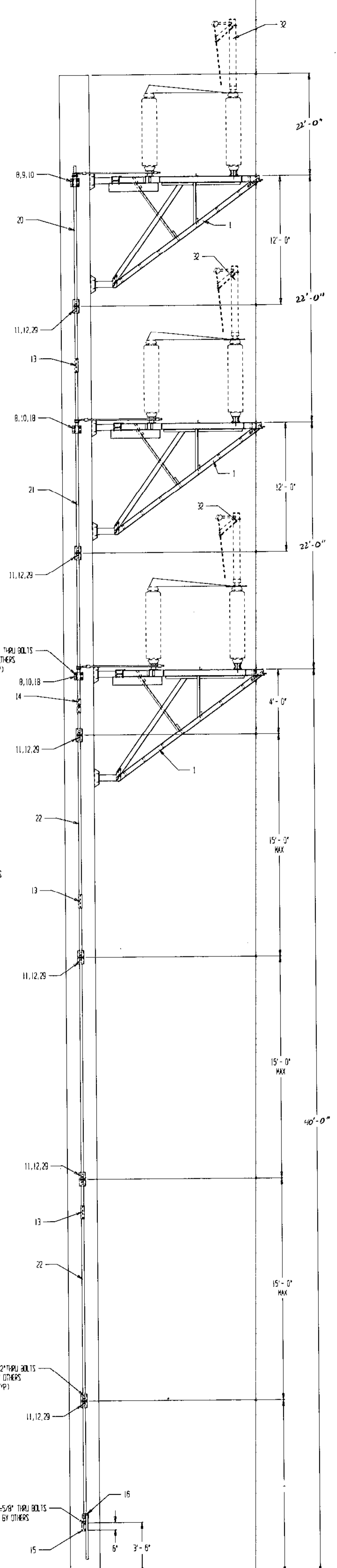
15 OPERATOR MTG BRKT DETAIL



16 OPERATOR HANDLE DETAIL



23 MOTOR OPER MTG DETAIL (OPT'L)



QTY	PART	MATERIAL	ITEM	DESCRIPTION
138	-	GALV	37	MACHINE BOLT 5/8"-11 X 1 3/4" N.L.W.
81	-	GALV	36	MACHINE BOLT 5/8"-11 X 1 1/2" N.L.W.
42	-	GALV	35	MACHINE BOLT 5/8"-11 X 2 1/4" N.L.W.
108	-	GALV	34	MACHINE BOLT 3/4"-10 X 2 1/2" N.L.W.
204	004572AX	ALUM	33	WEDGE WASHER
-	-	-	32	TECO RUPTR (OPTIONAL)
12	-	GALV	31	STUD 5/8"-11 X 2 1/4" N.L.W. (RUPTR BOLT)
72	-	GALV	30	MACHINE BOLT 5/8"-11 X 1 1/2" L.W. (INSULATOR BOLT)
+	-	GALV	29	MACHINE BOLT 1/2"-13 X 1 1/2" N.L.W. (VARIES w/POLE HEIGHT)
9	SEE ORDER	-	28	INSULATOR
3	A9623	-	27	JAW ASSY 115/16KV-12A LH
3	A9619	-	26	JAW ASSY 115/16KV-12A RH
3	A9620	-	25	BLADE LESS JAW ASSY 16KV-12A LH
3	A9619	-	24	BLADE LESS JAW ASSY 16KV-12A RH
-	-	-	23	MOTOR OPERATOR (OPTIONAL)
+	RW001380	GALV	22	2" IPS SCH. 80 PIPE @ (VARIES w/POLE HEIGHT)
+	RW001380	GALV	21	2" IPS SCH. 80 PIPE @ (VARIES w/POLE HEIGHT)
+	RW001380	GALV	20	2" IPS SCH. 80 PIPE @ (VARIES w/POLE HEIGHT)
6	RW001320	GALV	19	1" IPS SCH. 80 PIPE 8'-8"
4	001414AXX	ALUM	18	PHASE GUIDE CONTROL
3	A7339	-	17	CONTACT MTG PLATE
1	A9295	-	16	OPERATOR HANDLE ASSY
2	A9286	GALV	15	OPERATOR MTG BRKT
2	A9277	GALV	14	2" IPS U-JOINT PIPE-10-PIPE
2	A9259	GALV	13	2" IPS PIPE COUPLING (VARIES w/POLE HEIGHT)
+	007231AX	ALUM	12	PIPE GUIDE MTG BRKT (VARIES w/POLE HEIGHT)
+	A9257	GALV	11	PIPE GUIDE ASSY (VARIES w/POLE HEIGHT)
6	A9255	GALV	10	PIPE LEVER ASSY
2	A9247	-	9	THRUST BEARING ASSY
6	A5147	GALV	8	PHASE GUIDE/THRUST BEARING MTG BRKT
12	A9253	GALV	7	1" IPS CLEVIS ASSY
3	001760SCHMGM	GALV	6	INSULATOR PEGASTAL
6	A9241	-	5	PIVOT ASSY 1 LEVER (258)
6	0091285XG	GALV	4	SWITCH FRAME MTG BRKT
3	0073545XG	GALV	3	FRAME ADAPTER BRKT BOTTOM
3	0053365XG	GALV	2	FRAME ADAPTER BRKT TOP
3	A9361	ALUM	1	FRAME ASSY 20-161-B/12 CP/SP/LWP

TO: KAMO ELECTRIC COOP  
ELDORADO SPRING, MO

EUSTONER P.O.# 7064-A SERIAL NUMBER: 76416-2

REVISTIONS

161 KV 1200 AMP

2016112/2219 CONTROL MECH  
LAMINATED WOOD POLE MTD.

TURNER ELECTRIC CORPORATION  
FAIRVIEW HEIGHTS, ILL., USA

SK021014  
SHEET 2 OF 2

BY: JMJR DATE: 10-21-02  
APP'D BY: MRP DATE: 10-24-02