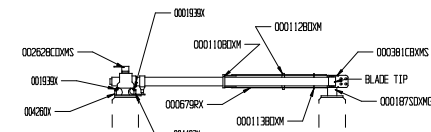
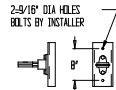


26 FRAME/POLE MOUNTING DETAIL

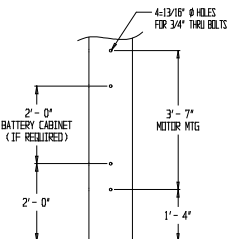


18,19 115KV BLADE ASSY  
RIGHT HAND SHOWN, LEFT HAND TYPICAL

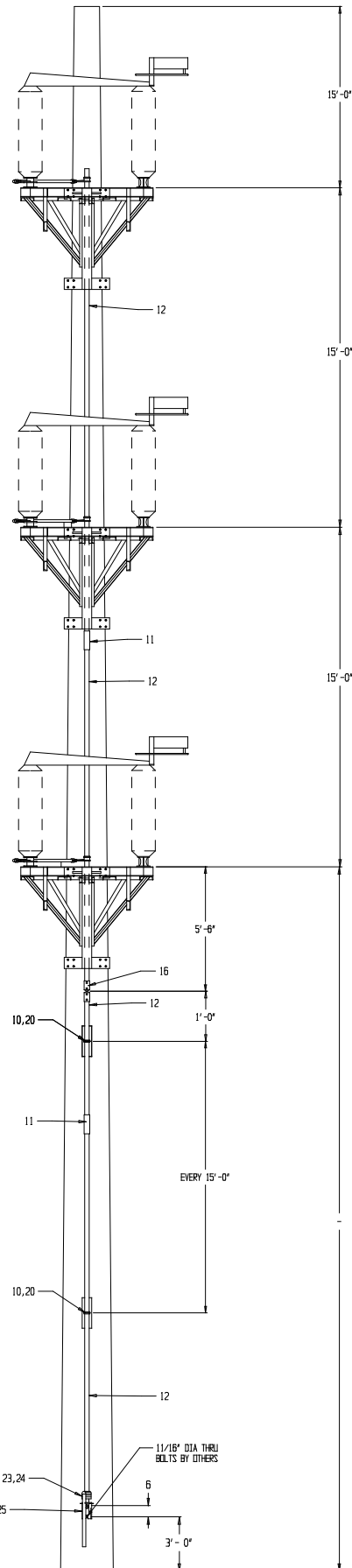
QUANTITY	PART	MATERIAL	ITEM	DESCRIPTION
-	-	-	29	-
-	-	-	28	-
-	-	-	27	INTERRUPTER (CNG #5146) (OPTIONAL)
6	005780SNG	GALV	26	POLE TO ADAPTOR MITG BRKT
1	004228AX	ALUM	25	OPERATOR MITG BRKT
1	A8269	GALV	24	OPERATOR LOCKING PLATE
1	A8265	GALV	23	OPERATOR HANDLE ASSY
6	005393SNG	GALV	22	FRAME ADAPTER
96	007231AM	ALUM	21	MACHINE BOLT 3/4" X 2 1/2" N.L.W
+	007231AM	ALUM	20	PIPE GUIDE MITG BRKT (QTY VARIES w/POLE HEIGHT)
3	A8578	COPPER	19	JAW ASSY. 115 KV 1200 A RH
3	A8580	COPPER	18	BLADE ASSY. 115 KV 1200 A RH (Ø 1-1/2")
6	-	-	17	INSULATOR 115 KV
1	A8277	GALV	16	U-DINT ASSY.
-	-	-	15	-
-	-	-	14	-
-	-	-	13	MOTOR OPERATOR (OPTIONAL)
-	HS-2	-	12	OPER. PIPE 2" SCH 80 # (QTY VARIES w/POLE HEIGHT)
*	RK301-300	GALV	11	PIPE COUPLING 2" IPS (QTY VARIES w/POLE HEIGHT)
*	A8259	-	10	PIPE GUIDE ASSY (3/860) (QTY VARIES w/POLE HEIGHT)
5	001414ANX	ALUM	9	PHASE GUIDE
1	008255SNG	GALV	8	PIPE SPACER # 1"
1	A8247	-	7	THRUST BEARING ASSY.
3	A8255	GALV	6	7" PIPE LEVER ASSY.
3	RK301-320	GALV	5	REACH ROD 1" SCH 80 # 6'-3"
6	A8253	GALV	4	1" CLEVIS ASSY.
3	A8241	ALUM	3	PIVOT ASSY. (483 RHD)
3	001780SDXNG	GALV	2	INSULATOR PEDESTAL
3	A8381	ALUM	1	ICOF-115 FRAME ASSY.



10,20 PIPE GUIDE DETAIL



30 MOTOR OPER DRILLING DETAIL



REVISIONS	DATE	BY	CHK	115 KV	1200 AMP
REV PIPE GUIDE MITG BRKT TO 3/8\"/>	6-24-02	MB	MB		

DRAWING # SK020615  
 BY MB DATE 6-24-02  
 APP'D BY DATE  
 1COF11512/1780  
 CONCRETE POLE FRONT MOUNT  
 TURNER ELECTRIC CORPORATION  
 CANTON, MISSOURI, U.S.A.