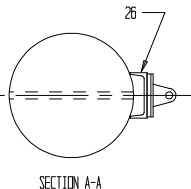
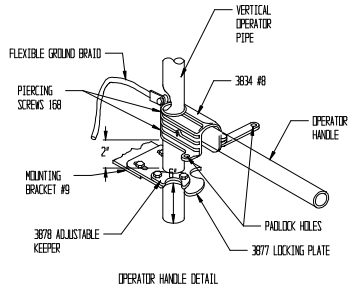


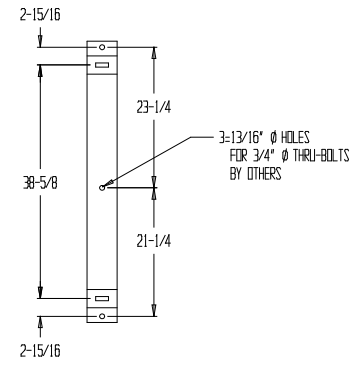
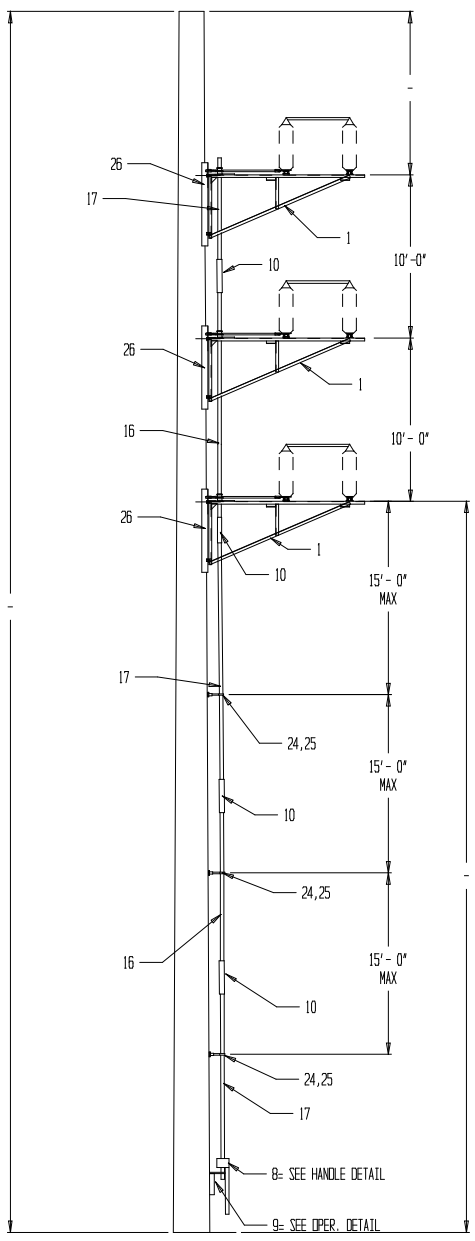
SWITCH FRAME DETAIL
(SHOWN AT BOTTOM PHASE)



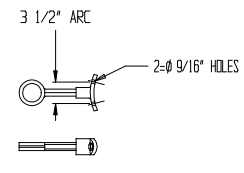
SECTION A-A



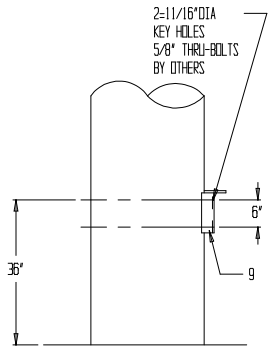
OPERATOR HANDLE DETAIL



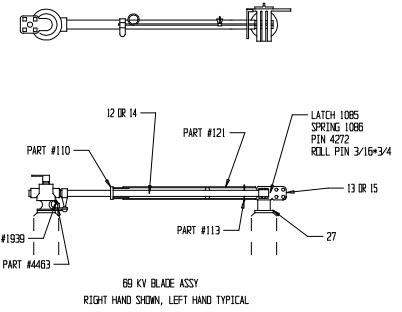
THRU-BOLT MTG. BRKT DETAIL



PIPE GUIDE DETAIL



OPER. MTG. BRKT. DETAIL



69 KV BLADE ASSY
RIGHT HAND SHOWN, LEFT HAND TYPICAL

QUANTITY	PART	MATERIAL	ITEM	DESCRIPTION
-	-	-	34	-
-	-	-	33	-
-	-	-	32	-
-	-	-	31	-
-	-	-	30	-
-	-	-	29	-
-	-	-	28	-
3	3	00014200MG	27	CONTACT PEDESTAL
3	3	A1481	26	THRU-BOLT SWITCH MTG BRKT
*	*	-	25	LAG BOLT 1/2" X 4"
*	*	AS257	24	PIPE GUIDE (QTY VARIES w/POLE HEIGHT)
-	-	-	23	-
-	-	-	22	-
8	8	-	21	CARRIAGE BOLT 1/2"-13 X 2" N.L.W
6	6	SEE ORDER	20	INSULATOR, 69KV
-	-	-	19	-
-	-	-	18	-
*	*	ER001380	17	2" IPS SCH 40 PIPE w/ (VARIES w/POLE HEIGHT)
*	*	ER001380	16	2" IPS SCH 40 PIPE w/ (VARIES w/POLE HEIGHT)
-	3	AS508	-	JAW ASSY 69/161KV 600AMP RH
-	3	AS508	-	BLADE LESS JAW 69KV 600AMP RH
3	-	AS578	-	JAW ASSY 69/161KV 1200AMP RH
3	-	AS568	-	BLADE LESS JAW 69KV 1200AMP RH
3	3	ER001280	11	3/4" IPS SCH 40 PIPE w/ (VARIES w/POLE HEIGHT)
*	*	AS259	10	PIPE COUPLING (QTY VARIES w/POLE HEIGHT)
1	1	AS266	9	OPER MTG ASSY STD
1	1	AS264	8	OPERATOR HANDLE ASSY
1	1	AS248	7	THRUST BEARING ASSY w/1443 MTG. TOP
3	3	AS255	6	PIPE LEVER ASSY
6	6	AS252	5	3/4" CLEVIS ASSY
2	2	000220ATX	4	PHASE GUIDE, MIDDLE & BOTTOM
3	3	AS233	3	PIVOT ASSY 1 LEVER (483)
3	3	00010600MG	2	INSULATOR PEDESTAL
3	3	AS204	1	AD-69-6/12 FRAME ASSY

REVISIONS
 1. BY: MJB DATE: 6-5-02
 2. BY: MJB DATE: 6-5-02
 3. BY: MJB DATE: 6-5-02

DRAWING # **SK020602**
 SHEET 1 OF 1

69 KV
 1A006906/1804 & 1A006912/1804
 WOOD POLE MTG CONTROL MECHANISM

TURNER ELECTRIC CORPORATION
 FAIRVIEW HEIGHTS, IL., USA