

QTY	PART	MATERIAL	ITEM	DESCRIPTION
204	204	3045724X	ALUM	WEDGE WASHERS
78	78	SEE FRAME BOLT	GALV	MACHINE BOLT 5/8"-11 X 1 1/2" N.L.W
52	52	SEE FRAME BOLT	GALV	MACHINE BOLT 3/4"-10 X 2 1/2" N.L.W
85	85	SEE FRAME BOLT	GALV	MACHINE BOLT 5/8"-11 X 2 1/4" N.L.W
85	85	SEE FRAME BOLT	GALV	MACHINE BOLT 5/8"-11 X 1 3/4" N.L.W
40	40		GALV	MACHINE BOLT 1/2"-13 X 1 1/2" N.L.W (VARIES w/ POLE HEIGHT)
38	38		GALV	CARRIAGE BOLT 1/2"-13 X 1 1/2" N.L.W
37	37			
35	35			
34	34	A9581	CU	60/161 KV 600 AMP LH JAW ASSY
33	33	A9580	CU	60/161 KV 600 AMP RH JAW ASSY
32	32	A9561	CU	115 KV 1200 AMP LH BLADE ASSY
31	31	A9560	CU	115 KV 1200 AMP RH BLADE ASSY
30	30	D12122SNG	GALV	FRAME MTG BRKT
29	29	D05167SNG	GALV	OPERATOR EXTENSION PLATE
28	28			
27	27	HS-2		MOTOR OPERATOR (OPTIONAL)
26	26	RK301300	GALV	2" OPER PIPE SCH.80 @ (LENGTH VARIES w/ POLE HEIGHT)
25	25	A9287	GALV	3 WAY OPERATOR HANDLE ASSY
24	24	A9289	ALUM	LOCKING PLATE ASSY
23	23	D03875AX	ALUM	OPER MTG BRKT
22	22	A9289	GALV	2" PIPE COUPLING (QTY VARIES w/ POLE HEIGHT)
21	21	SEE ORDER		115KV INSULATOR (TR. 266)
20	20	115T31N		T-ECO RUPTR (OPTIONAL)
19	19	A2774	ALUM	CONTACT PLATE ASSY
18	18	A9531	COPPER	60/161 KV 600 AMP LH JAW ASSY
17	17	A9530	COPPER	60/161 KV 600 AMP RH JAW ASSY
16	16	A9511	COPPER	115 KV 600 AMP LH BLADE ASSY
15	15	A9510	COPPER	115 KV 600 AMP RH BLADE ASSY
14	14	A9257		PIPE GUIDE ASSY (QTY. VARIES w/ POLE HEIGHT)
13	13	A9258-1		PIPE GUIDE ASSY (QTY. VARIES w/ POLE HEIGHT)
12	12	D07231AX	ALUM	P-GUIDE MTG BRKT (QTY. VARIES w/ POLE HEIGHT)
11	11	A9277	GALV	PIPE TO PIPE U-JOINT
10	10	D03875SNG	GALV	BEARING/GUIDE BRKT
9	9	D01414AX	ALUM	PHASE GUIDE TOP
8	8	A9247		T-BEARING ASSY
7	7	A9253	GALV	1" CLEVIS ASSY
6	6	RK301320	GALV	REACH ROD 1" SCH.80 @ 11'-0"
5	5	RK301320	GALV	REACH ROD 1" SCH.80 @ 5'-0"
4	4	A9255	GALV	7" LVR ASSY
3	3	D01760SDMGM	GALV	INSULATOR PEDESTAL
2	2	A9241	ALUM	1 LVR PIVOT ASSY @ 258, 3 @ 483
1	1	A9255	ALUM	30-115 FRAME ASSY w/ 3659-2 FRAME BACK

QTY	LW	N	B	MATERIAL	CODE	BOLT SIZE
4	4	4	4	GALV	C-38	3/4"-10 X 2 1/2" BOLT
4	4	4	4	GALV	C-37	3/4"-10 X 2 1/2" BOLT
4	4	4	4	GALV	C-36	5/8"-11 X 1 1/2" BOLT
4	4	4	4	GALV	C-35	5/8"-11 X 1 1/2" BOLT
3	3	3	3	GALV	C-34	5/8"-11 X 1 1/2" BOLT
3	3	3	3	GALV	C-33	5/8"-11 X 1 1/2" BOLT
3	3	3	3	GALV	C-32	5/8"-11 X 1 1/2" BOLT
3	3	3	3	GALV	C-31	5/8"-11 X 1 1/2" BOLT
6	6	6	6	GALV	C-30	5/8"-11 X 1 3/4" BOLT
2	2	2	2	GALV	C-29	5/8"-11 X 1 1/2" BOLT
1	1	1	1	GALV	C-28	5/8"-11 X 1 3/4" BOLT
1	1	1	1	GALV	C-27	5/8"-11 X 1 3/4" BOLT
					C-26	
4	4	4	4	GALV	C-25	3/4"-10 X 2 1/2" BOLT
2	2	2	2	GALV	C-24	5/8"-11 X 2 1/4" BOLT
4	4	4	4	GALV	C-23	3/4"-10 X 2 1/2" BOLT
					C-22	
1	1	1	1	GALV	C-21	5/8"-11 X 1 3/4" BOLT
1	1	1	1	GALV	C-20	5/8"-11 X 1 3/4" BOLT
2	2	2	2	GALV	C-19	5/8"-11 X 1 1/2" BOLT
2	2	2	2	GALV	C-18	5/8"-11 X 1 3/4" BOLT
3	3	3	3	GALV	C-17	5/8"-11 X 2 1/4" BOLT
3	3	3	3	GALV	C-16	5/8"-11 X 2 1/4" BOLT
2	2	2	2	GALV	C-15	5/8"-11 X 1 3/4" BOLT
2	2	2	2	GALV	C-14	5/8"-11 X 1 3/4" BOLT
2	2	2	2	GALV	C-13	5/8"-11 X 1 3/4" BOLT
1	1	1	1	GALV	C-12	5/8"-11 X 1 1/2" BOLT
4	2	2	2	GALV	C-11	5/8"-11 X 2 1/4" BOLT
4	4	4	4	GALV	C-10	5/8"-11 X 2 1/4" BOLT
4	4	4	4	GALV	C-9	5/8"-11 X 1 3/4" BOLT
1	1	1	1	GALV	C-8	5/8"-11 X 1 3/4" BOLT
4	4	4	4	GALV	C-7	5/8"-11 X 2 1/4" BOLT
4	4	4	4	GALV	C-6	5/8"-11 X 2 1/4" BOLT
1	1	1	1	GALV	C-5	5/8"-11 X 1 3/4" BOLT
4	4	4	4	GALV	C-4	5/8"-11 X 1 3/4" BOLT
4	4	4	4	GALV	C-3	5/8"-11 X 2 1/4" BOLT
1	1	1	1	GALV	C-2	5/8"-11 X 1 1/2" BOLT
4	2	2	2	GALV	C-1	5/8"-11 X 2 1/2" BOLT

TO: \_\_\_\_\_

CUSTOMER P.O.# \_\_\_\_\_ SERIAL NUMBER: \_\_\_\_\_

REVISIONS:

NO.	DATE	BY	MARK	DESCRIPTION
C-24 HAS QTY 4	8-26-02	MJR	A	
C-1 & C-11 WERE 2 1/4"	2-20-06	MJR	E	

115 KV 600/1200 AMP

3011506/3255 & 3011512/3255

SIDE BREAK SWITCH ON L.D. STEEL POLE

DRAWING # SK020304

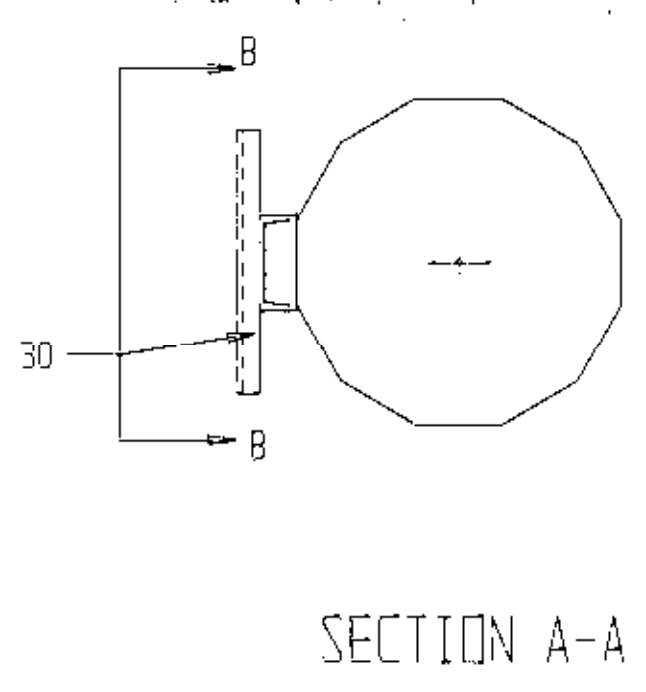
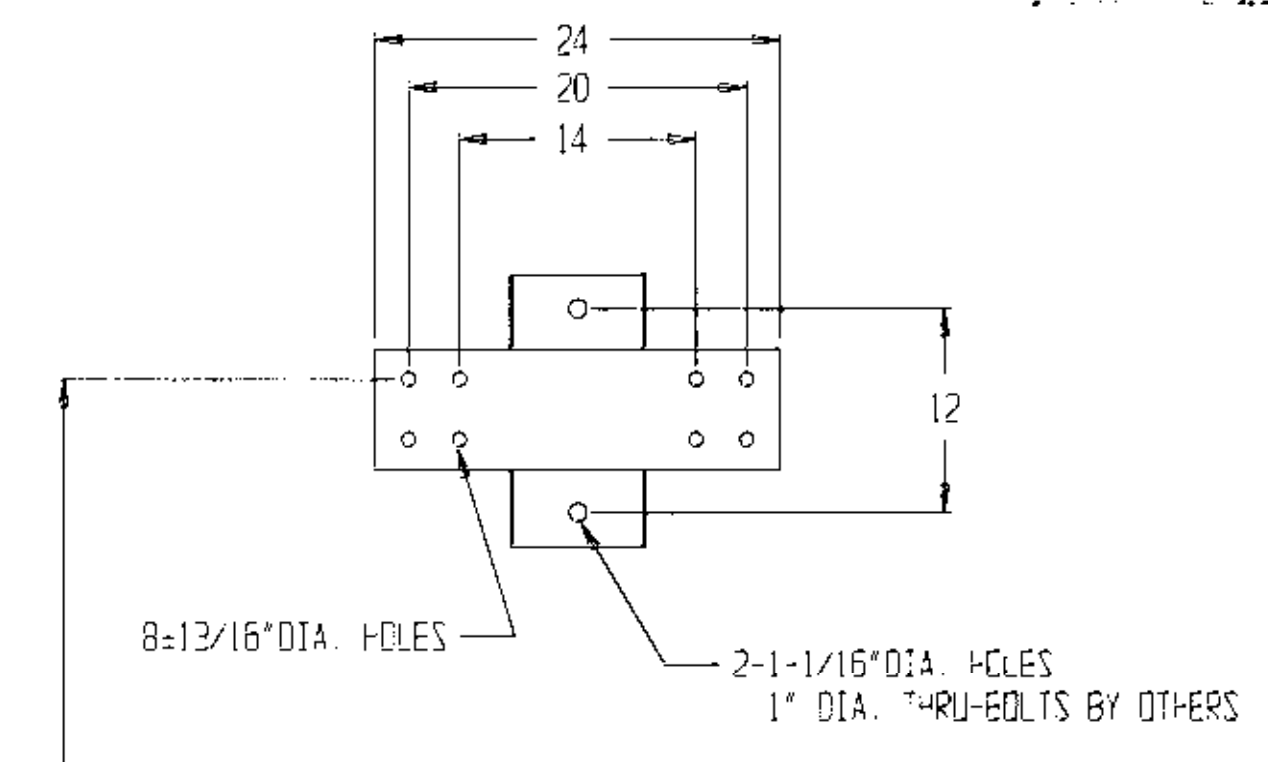
BY: MJB DATE: 3-11-02

APP'D BY: \_\_\_\_\_ DATE: \_\_\_\_\_

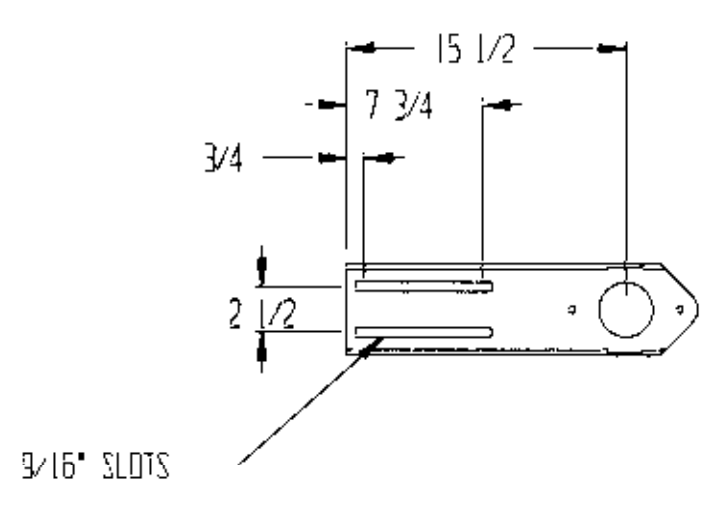
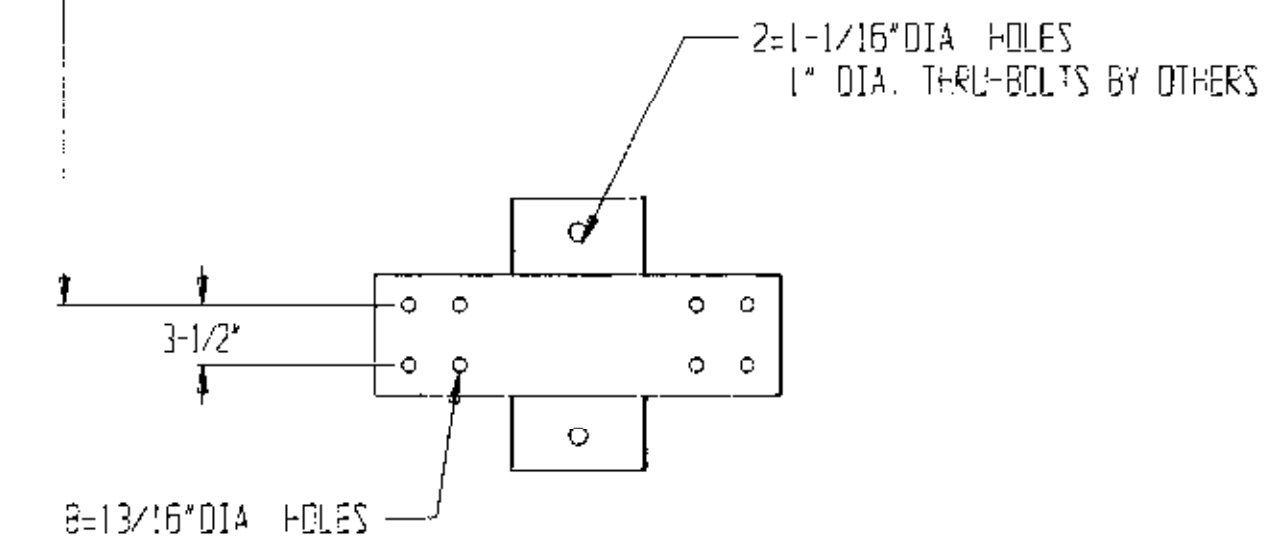
TURNER ELECTRIC CORPORATION

FAIRVIEW HEIGHTS, IL., USA

SHEET 1 OF 2



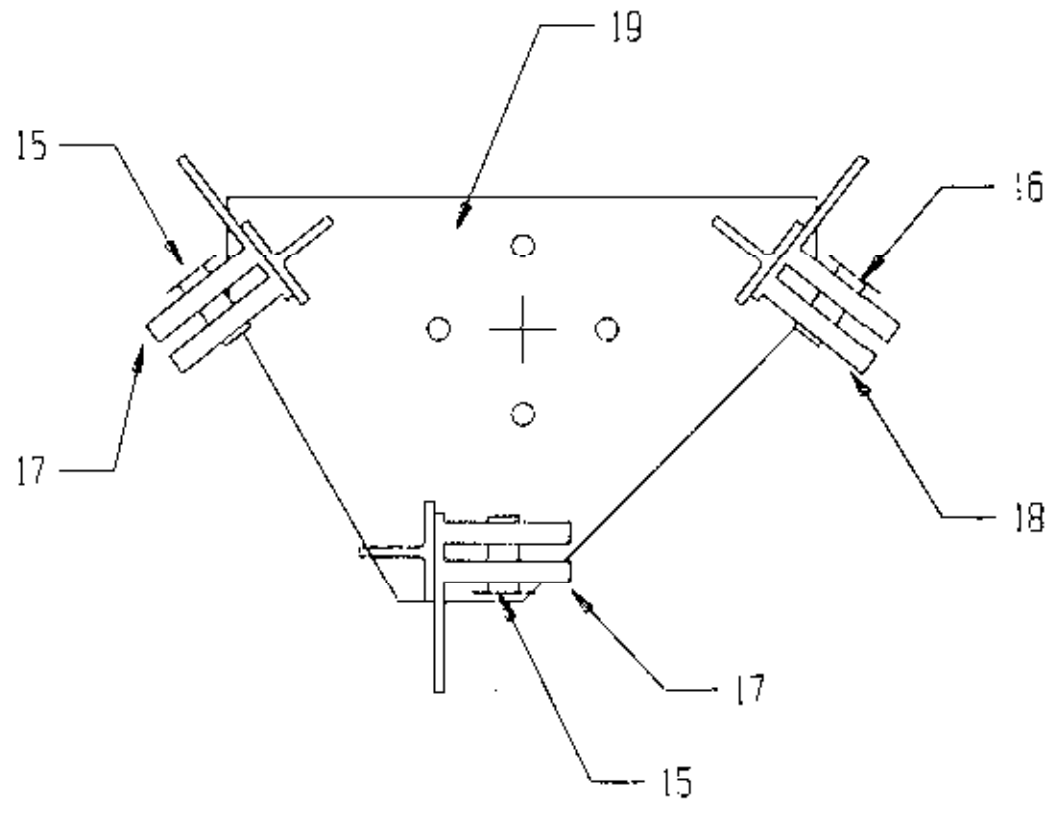
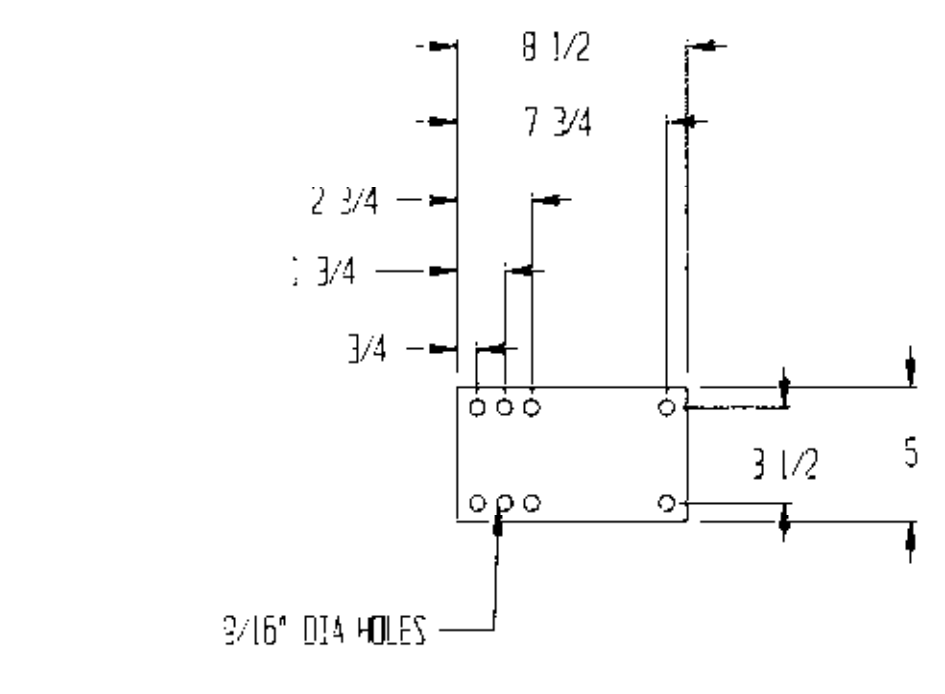
SECTION A-A



FRAME MTG DETAIL IS TYPICAL FOR ALL FRAMES, TOP & BOTTOM

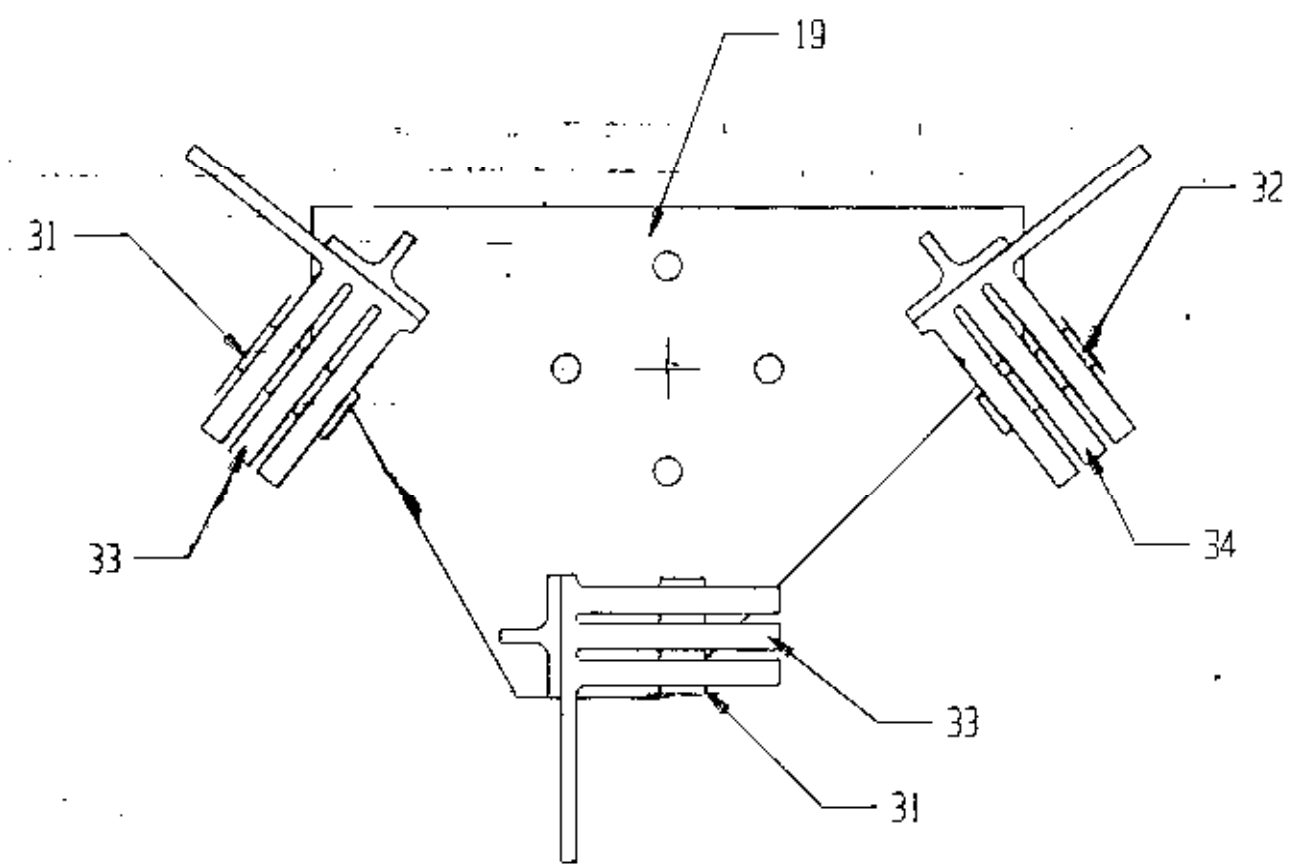
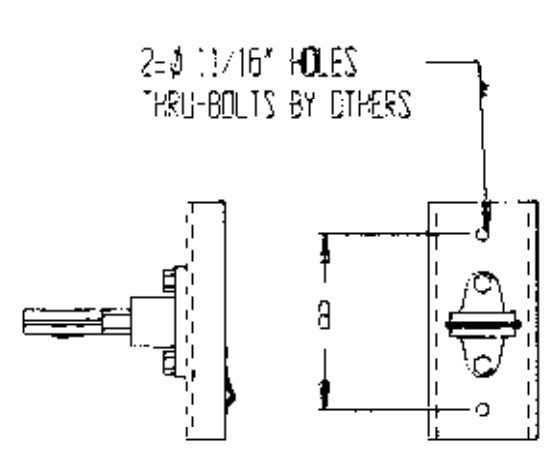
SECTION B-B

⑩ T-B/P-G MTG BRKT DETAIL



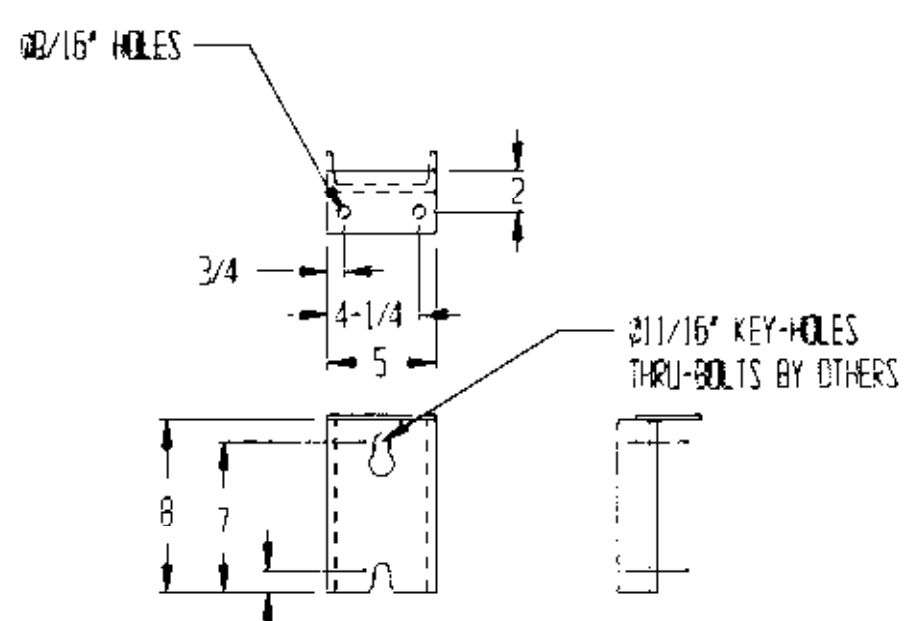
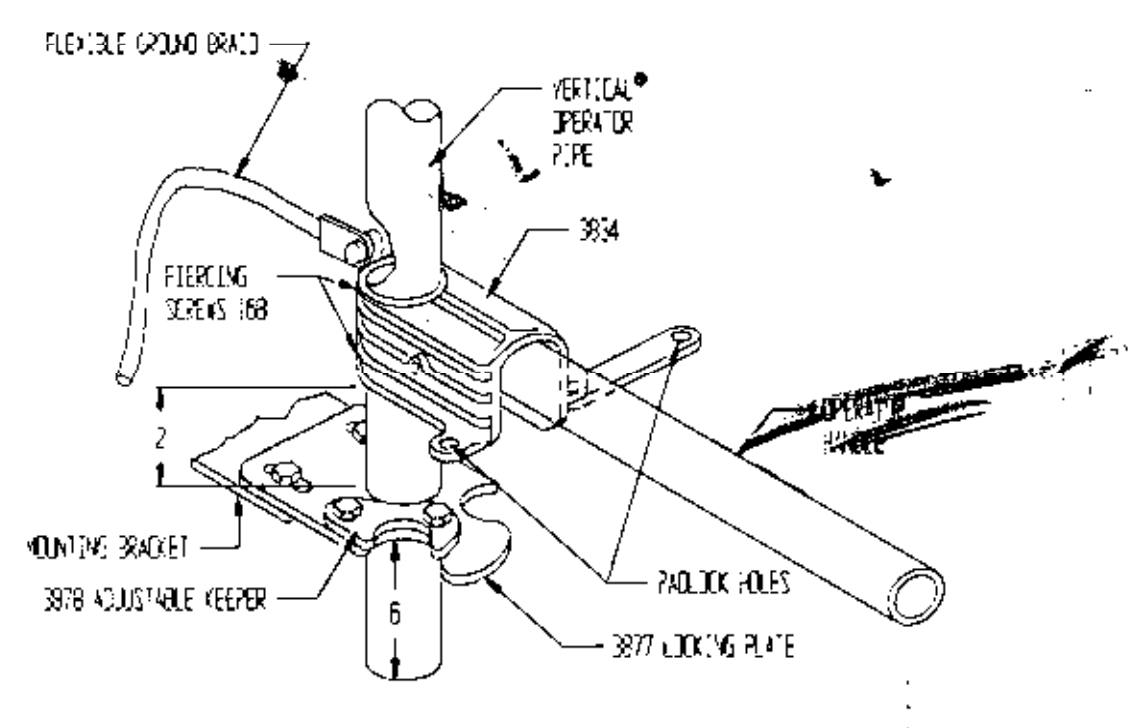
⑲ EXTENSION PLATE DETAIL

600AMP CONTACT PLATE ASSY



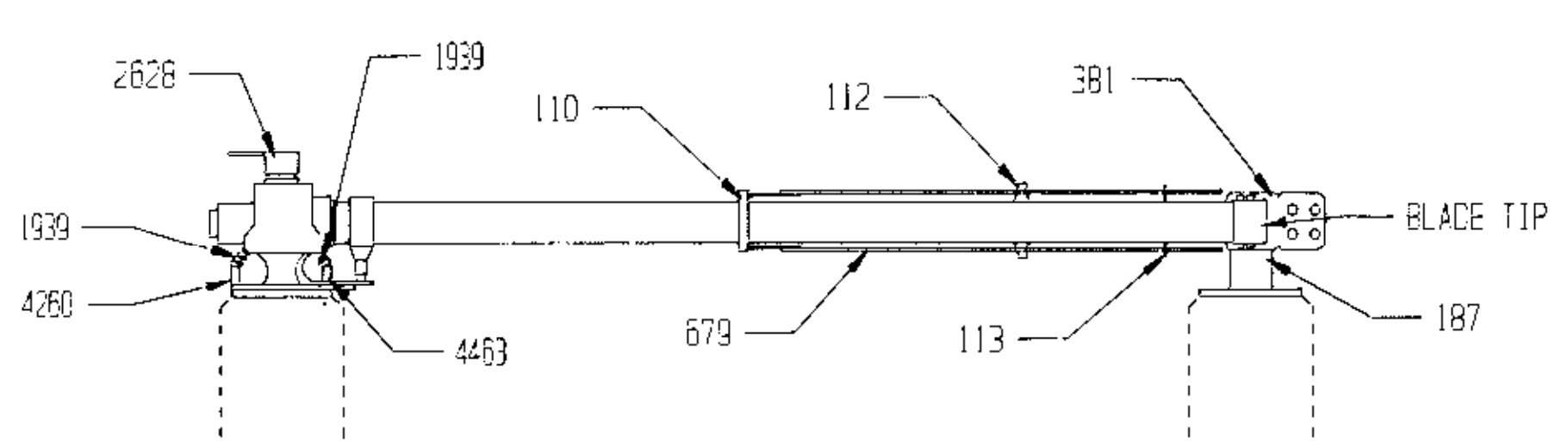
⑫⑬⑭ PIPE GUIDE MTG DETAIL

1200AMP CONTACT PLATE ASSY

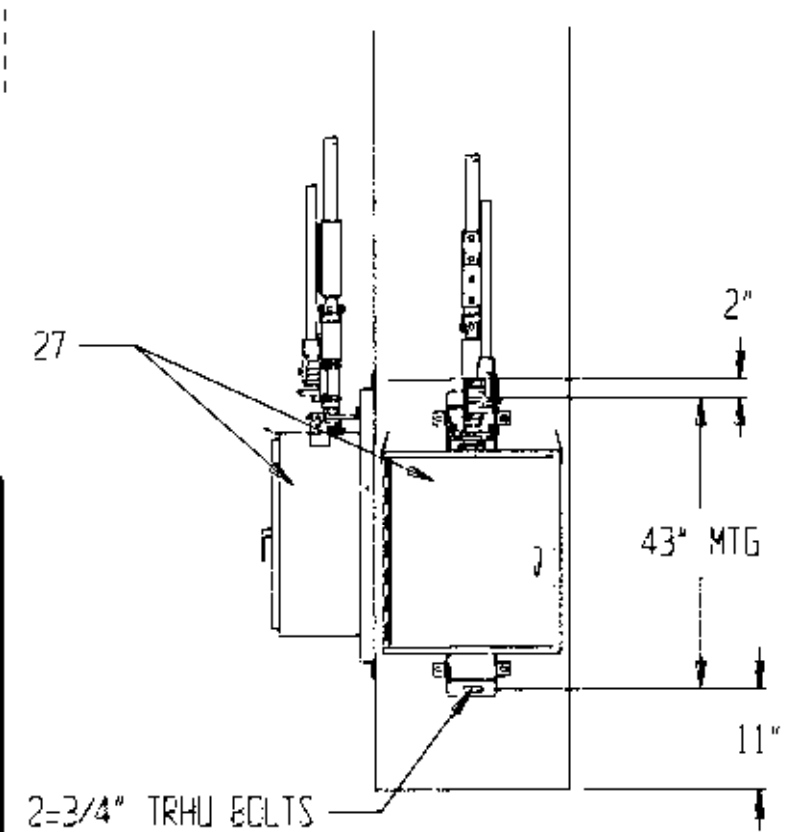


⑲ OPERATOR HANDLE DETAIL

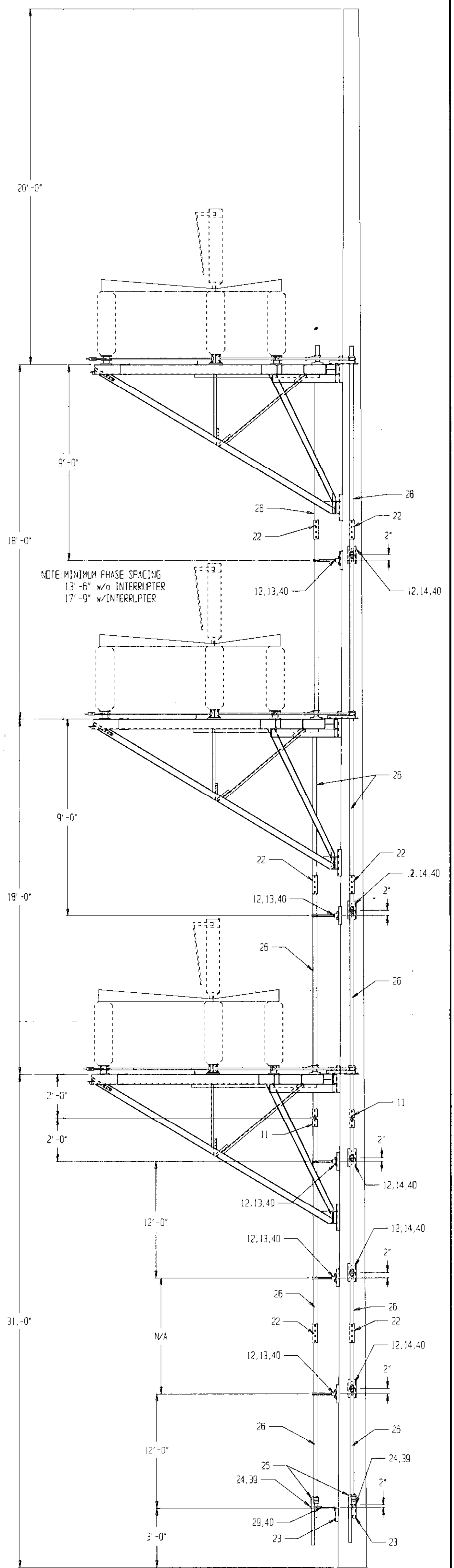
⑳ OPERATOR MTG BRKT DETAIL



115 KV ELADE ASSY  
RIGHT HAND SHOWN, LEFT HAND TYPICAL



MOTOR OPER. MTG DETAIL



EDISON MATERIAL SUPPLY LLC - ALTO, CA CUSTOMER P.O.# 21020042 SERIAL NUMBER: 2-00-81821-1		115 KV 600/1200 AMP 3011506/3255 & 3011512/3255 SIDE BREAK SWITCH ON L.D. STEEL POLE
REVISIONS C-1 & C-11 WERE 2 1/4" DATE: 2-20-02 BY: MJR MARK: B	DRAWING # <b>SK020304</b> SHEET 2 OF 2	TURNER ELECTRIC CORPORATION FAIRVIEW HEIGHTS, IL., USA