

QTY	PART	MATERIAL	ITEM	DESCRIPTION
-	-	-	33	-
-	-	-	32	-
-	-	-	31	-
*	-	GALV	30	MACHINE BOLT 5/8"-11 x 1 3/4" N,L,W
24	-	GALV	29	CARRIAGE BOLT 1/2"-13 x 1 1/2" N,L,W
-	-	-	28	-
12	SEE ORDER	-	27	INSULATOR, 46KV
3	A9577	COPPER	26	46KV 1200AMP LEFT-HAND JAW ASSY
6	A9576	COPPER	25	46KV 1200AMP RIGHT-HAND JAW ASSY
3	A9557	COPPER	24	46KV 1200AMP LEFT-HAND BLADE ASSY
6	A9556	COPPER	23	46KV 1200AMP RIGHT-HAND BLADE ASSY
3	A2406	ALUM	22	CONTACT PLATE
3	A9266	ALUM	21	OPER MTG & LOCKING PLATE ASSY
*	007231BRK	GALV	20	PIPE GUIDE MTG BRKT (QTY. VARIES w/POLE HEIGHT)
1	A9286	GALV	19	OPERATOR HANDLE ASSY
*	A9257	-	18	PIPE GUIDE ASSY (QTY. VARIES w/POLE HEIGHT)
12	-	GALV	17	MACHINE BOLT 1/2"-13 x 1 1/2" N,L,W
*	A9259	GALV	16	2" PIPE COUPLING (QTY. VARIES w/POLE HEIGHT)
*	04613TW4061-3	-	15	INTERRUPTER, 30-46KV (OPTIONAL)
*	RM301280	GALV	14	2" IPS SCH.40 PIPE (LENGTH VARIES w/POLE HEIGHT)
-	-	-	13	-
3	A9277	GALV	12	2" U-JOINT ASSY
2	000220ATX	ALUM	11	PHASE GUIDE
4	A9250	-	10	PHASE GUIDE MTG ASSY
2	A9249	-	9	T-BEARING ASSY
1	A9248	-	8	T-BEARING ASSY w/1443 MTG
3	RM301280	GALV	7	3/4" SCH.80 PIPE @ 5'-8"
6	RM301280	GALV	6	3/4" SCH.80 PIPE @ 2'-6"
9	A9255	GALV	5	7" LEVER ASSY
18	A9252	GALV	4	3/4" CLEVIS ASSY
9	A9233	ALUM	3	PIVOT ASSY 1 LEVER (6-483 X 3-427)
3	000967SDMMGM	GALV	2	INSULATOR PEDESTAL
3	A9349	ALUM	1	30-46KV CP FRAME ASSY

QUANTITY PART MATERIAL ITEM DESCRIPTION

TO:

CUSTOMER P.O.# SERIAL NUMBER:

REVISIONS DATE BY MARK 46 KV 1200 AMP

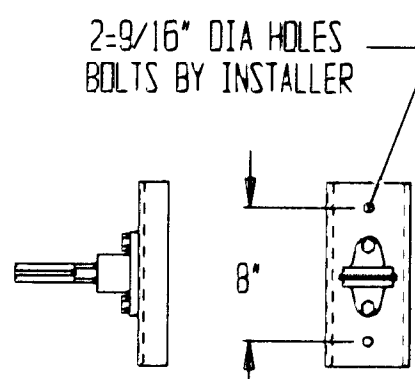
3004612/3181 CONCRETE POLE MTG AIR SWITCH P/O/P

TURNER ELECTRIC CORPORATION FAIRVIEW HEIGHTS, IL., USA

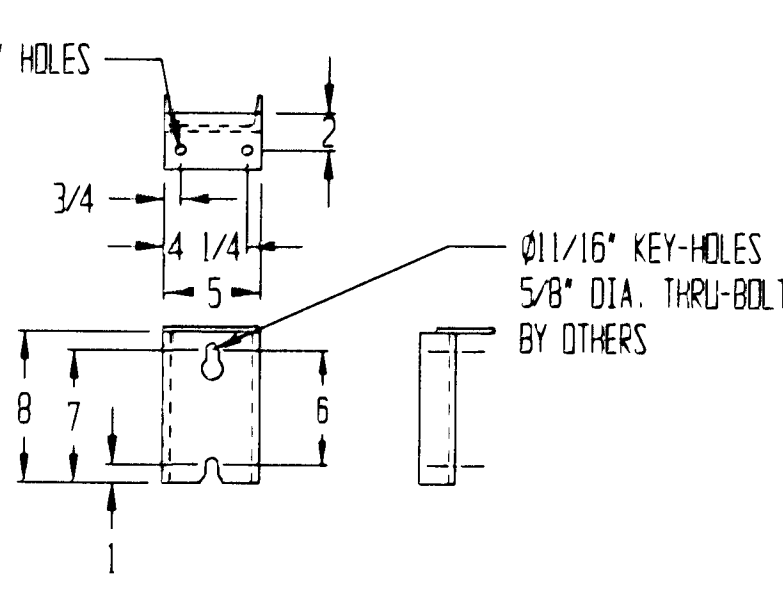
DRAWING # SK010518 SHEET 1 OF 1

BY WRP DATE 5-21-01

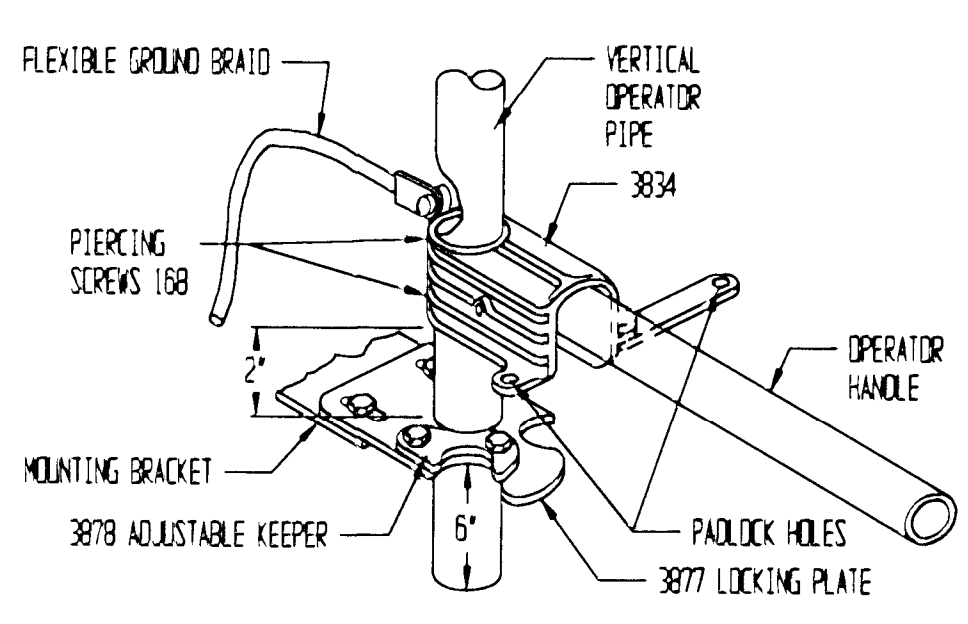
APP'D BY LD DATE 5-21-01



(18) (20) PIPE GUIDE ASSY



(21) OPER MTG BRKT DETAIL



(19) OPERATOR HANDLE DETAIL