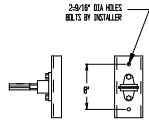
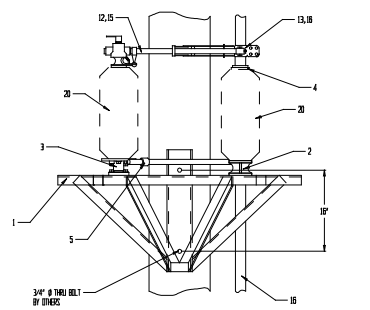
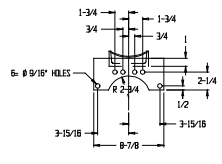


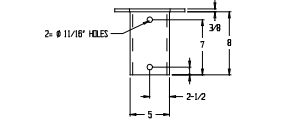
⑫ ⑬ 1CD-34KV RH BLADE ASSY



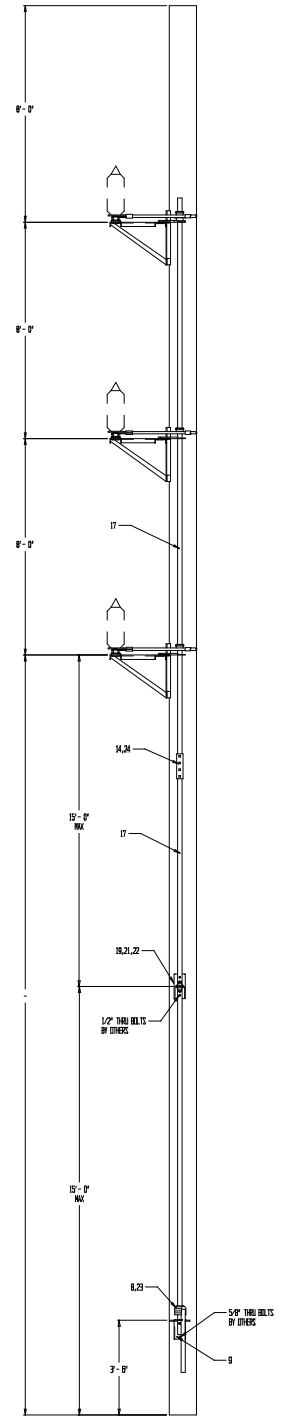
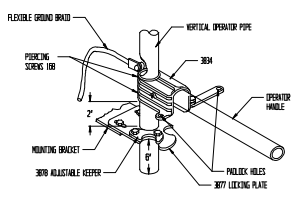
⑭ ⑮ PIPE GLIDE DETAIL



⑯ OPER. MITG BRKT ASSY DETAIL



⑰ OPERATOR HANDLE DETAIL



-	-	-	25	-
-	-	AB263	FIBERGLASS	24
2	2	-	GALV	23
*	*	-	GALV	22
*	*	007231AX	ALUM	21
6	6	MP252021X	-	20
*	*	AB257	-	19
*	*	RK001380	GALV	18
*	*	RK001380	GALV	17
3	-	AB250	-	16
3	-	AB254	-	15
*	*	AB259	GALV	14
-	3	AB250	-	13
-	3	AB254	-	12
3	3	RK001280	GALV	11
2	2	AB240	-	10
1	1	AB257	ALUM	9
1	1	AB254	GALV	8
1	1	AB240	-	7
3	3	AB255	GALV	6
6	6	AB252	GALV	5
3	3	00014200MG	GALV	4
3	3	AB233	ALUM	3
3	3	000867300MG	GALV	2
3	3	AB207	ALUM	1
		PRT	MATERIAL	729
				DESCRIPTION

REV	DATE	BY	CHK	DESCRIPTION
1	3-1-01	ME		
2	3-1-01	ME		
3	3-1-01	ME		
4	3-1-01	ME		
5	3-1-01	ME		
6	3-1-01	ME		
7	3-1-01	ME		
8	3-1-01	ME		
9	3-1-01	ME		
10	3-1-01	ME		
11	3-1-01	ME		
12	3-1-01	ME		
13	3-1-01	ME		
14	3-1-01	ME		
15	3-1-01	ME		
16	3-1-01	ME		
17	3-1-01	ME		
18	3-1-01	ME		
19	3-1-01	ME		
20	3-1-01	ME		
21	3-1-01	ME		
22	3-1-01	ME		
23	3-1-01	ME		
24	3-1-01	ME		
25	3-1-01	ME		
26	3-1-01	ME		
27	3-1-01	ME		
28	3-1-01	ME		
29	3-1-01	ME		
30	3-1-01	ME		

DRAWING # SK010202
 SHEET 1 OF 1
 DATE 2-5-01
 TURNER ELECTRIC CORPORATION
 FAIRVIEW HEIGHTS, IL., USA