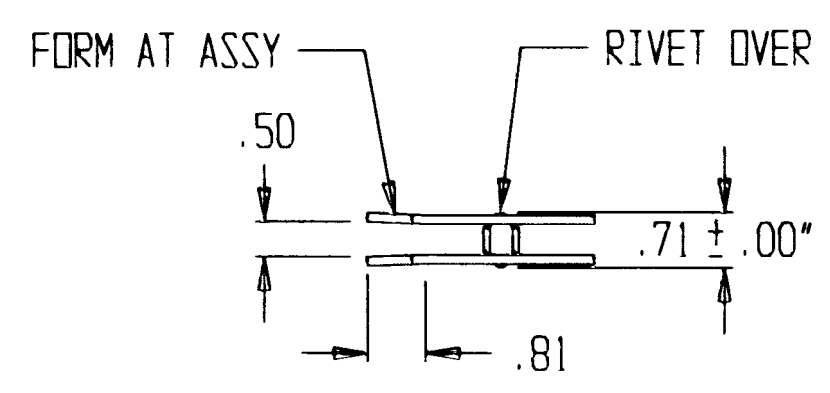


NOTES: 1. THE INSULATORS ARE SHOWN FOR HORIZONTAL AND VERTICAL MOUNTING
 2. THE INSULATORS ARE INVERTED FOR UNDER-HUNG MOUNTING.



NOTES: 1. FOR CORRECT CONTACT PRESSURE ON CLIP, ADJUST BLADES SO THEY ARE $.013 \pm .004$ " WIDER IN THE CLOSED POSITION THAN IN THE OPEN POSITION. THIS DIMENSION MUST BE MEASURED ON THE OUTSIDE OF THE BLADES, ABOVE CONTACT POINTS
 2. LUBRICATE CONTACT SURFACES PER SPEC
 3. STANDARD BASES ARE GALV STEEL.

QTY	PART	MATERIAL	ITEM	DESCRIPTION
-	-	-	9	-
-	-	-	8	-
4	-	-	7	DRIVE SCREW
1	MP251800X	ALUM	6	NAMEPLATE
8	-	GALV	5	LOCKWASHER 1/2"
8	-	GALV	4	BOLT 1/2-13 * 1"
2	-	-	3	INSULATOR TR216
1	A009662	-	2	CURRENT CARRYING PARTS ASSY
1	D11091SXG	GALV	1	MOUNTING BASE 69 KV

REV	DATE	BY	CHK	DESCRIPTION
REV ITEM 1: EON 3276	11-7-02	NJR	B	
REVISED BLADE DESIGN	11-19-98	RJM	A	

DRAWING # **SK960729**
 SHEET 1 OF 1

CUSTOMER P.O.#
 SERIAL NUMBER:

69 KV
 69 KV
 600 AMP

BT2-69-06/6012
 HOOKSTICK SWITCH
 TURNER ELECTRIC CORPORATION
 FAIRVIEW HEIGHTS, IL., USA