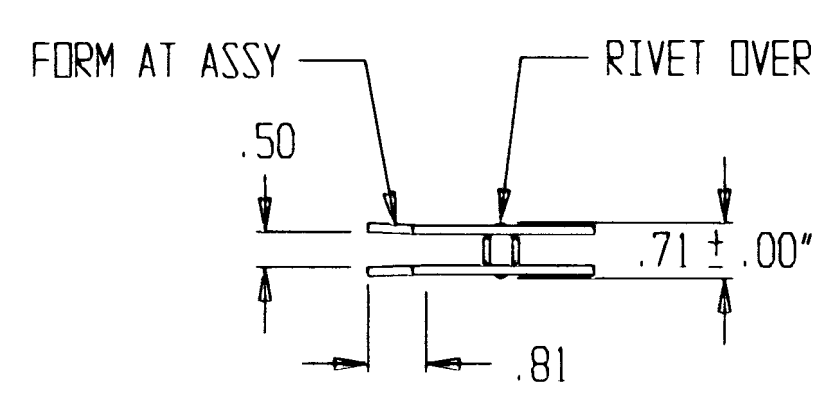


NOTES: 1. THE INSULATORS ARE SHOWN FOR HORIZONTAL AND VERTICAL MOUNTING
 2. THE INSULATORS ARE INVERTED FOR UNDER-HUNG MOUNTING.



NOTES: 1. FOR CORRECT CONTACT PRESSURE ON CLIP, ADJUST BLADES SO THEY ARE .013 ± .004" WIDER IN THE CLOSED POSITION THAN IN THE OPEN POSITION. THIS DIMENSION MUST BE MEASURED ON THE OUTSIDE OF THE BLADES, ABOVE CONTACT POINTS
 2. LUBRICATE CONTACT SURFACES PER SPEC
 3. STANDARD BASES ARE GALV STEEL.

				9	-
				8	-
	4			7	DRIVE SCREW
	1	MP251800X	ALUM	6	NAMEPLATE
				5	-
	8		GALV	4	MACHINE BOLT 1/2"-13 X 1" LW
	2			3	INSULATOR TR216
	1	A009661		2	CURRENT CARRYING PARTS ASSY
	1	011091SXG	GALV	1	MOUNTING BASE 69 KV

QUANTITY		PART	MATERIAL	ITEM	DESCRIPTION
TO:					
CUSTOMER P.O.#					
SERIAL NUMBER:					
REVISIONS		DATE	BY	CHK	69 KV
REV. BLADE DETAIL; EEN 3276		10-28-03	WJR	A	1200_MP
DRAWING #		BY	DATE		
SK950601		WJR	5-30-95		
SHEET 1 OF 1		APP'D BY	DATE		
		WJS	11-13-02		
BT2-69-12/6013 HOOKSTICK SWITCH					
TURNER ELECTRIC CORPORATION FAIRVIEW HEIGHTS, IL., USA					