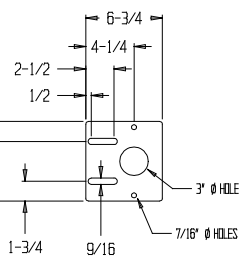
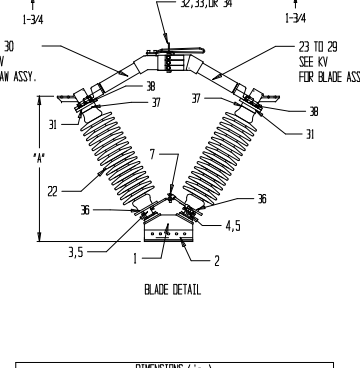
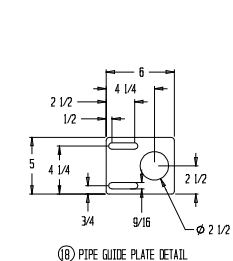


14 THRUST BEARING MOUNTING BRACKET



15 EXTENSION PLATE DETAIL



DIMENSIONS (in.)						
KV	A	B	C	W	X	Y
23	24 1/2	36 7/8	20 3/4	92	42	120
34.5	27 15/16	40 7/8	27 1/4	104	48	120
46	31 7/16	44 7/8	29 9/16	128	60	120
69	38 3/8	52 7/8	34 1/4	152	72	120

QTY	PART	MATERIAL	ITEM	DESCRIPTION
			51	
			50	
			49	
			48	
			47	
			46	
			45	
			44	CARRIAGE BELT 1/2"-13 X 1 1/2" N.L.W
			43	MACHINE BELT 5/8"-11 X 1 3/4" N.L.W.FW
			42	MACHINE BELT 1/2" X 13 X 1 1/2" N.L.W
			41	3/4" IPS SCH 40 # W
			40	CLEVIS ASSY, 3/4" IPS
			39	OPER. P.G./I.B. MTG BRKT
			38	MACHINE BELT 5/8"-11 X 2" N.L.W
			37	MACHINE BELT 1/2"-13 X 2" L.W
			36	MACHINE BELT 1/2"-13 X 1 1/4" N.L.W
			35	PIPE SPACER # 2" LONG
			34	BLUICK WHIP ASSY (OPTIONAL)
			33	ARCING HORN ASSY (STANDARD)
			32	ARCING HORN ASSY, 23KV (STANDARD)
			31	3" TO 5" BELT CIRCLE ADAPTER
			30	JAW ASSY 69KV 8000A
			29	BLADE ASSY 69KV 8000A
			28	JAW ASSY 48KV 2000A
			27	BLADE ASSY 48KV 2000A
			26	JAW ASSY 34.5KV 2000A
			25	BLADE ASSY 34.5KV 2000A
			24	JAW ASSY 23KV 2000A
			23	BLADE ASSY 23KV 2000A
			22	INSULATOR - SEE ORDER FOR DESCRIPTION
			21	LOCKING PLATE ASSY
			20	OPERATING HANDLE ASSY
			19	P.G./OPER./I.B. EXT PLATE
			18	PIPE GUIDE
			17	PIPE COUPLING
			16	2" IPS SCH 40 PIPE # 10' - 6"
			15	2" IPS SCH 40 PIPE # 21' - 0"
			14	THRUST BEARING MTG BRKT
			13	THRUST BEARING ASSY
			12	PIPE LEVER ASSY
			11	1" IPS SCH 80 PIPE # Y (FIELD CUT)
			10	1" IPS SCH 80 PIPE # W
			9	CLEVIS CONVERTOR ASSY
			8	ADJUSTABLE CLEVIS CONVERTOR ASSY
			7	ROTATING INSULATOR CLEVIS ASSY
			6	CLEVIS ASSY, 1" IPS
			5	BLADE STOP
			4	PIVOT ASSY 2 LEVER (25B)
			3	PIVOT ASSY 1 LEVER (25B)
			2	SWITCH BASE MOUNTING ANGLE
			1	SWITCH BASE

REVISING: **SK010608** DATE: 7-3-02 BY: MRP A
 CUSTOMER P.O.#: SERIAL NUMBER:
 1" C. DIM. AT 23KV WAS 25"
 TURNER ELECTRIC CORPORATION
 FAIRVIEW HEIGHTS, IL., USA
 2000 AMP
 CENTER "V" SWITCH
 SHEET 1 OF 1