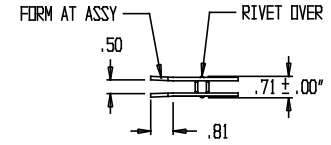
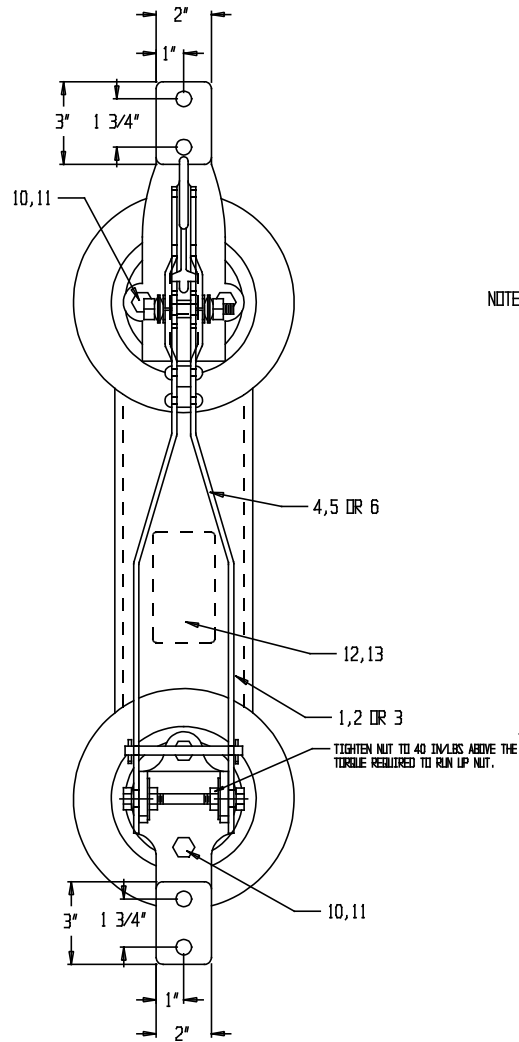
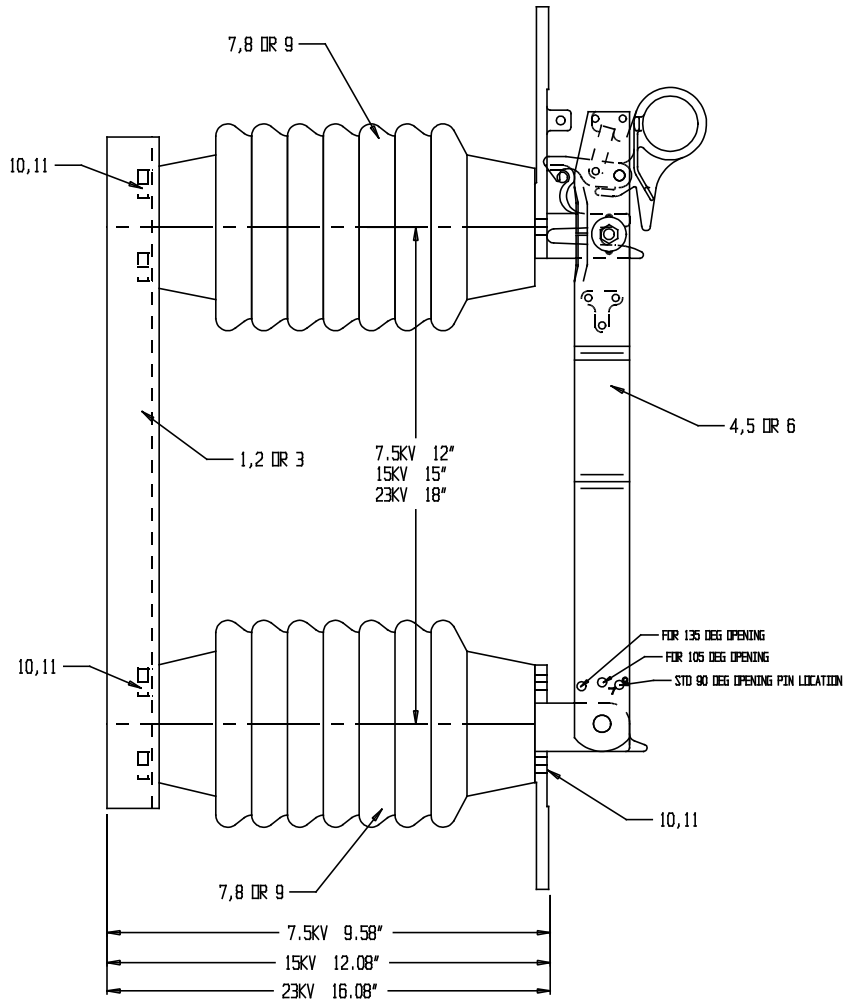


NOTES: 1. THE INSULATORS ARE SHOWN FOR HORIZONTAL AND VERTICAL MOUNTING.
 2. THE INSULATORS ARE INVERTED FOR UNDER-HUNG MOUNTING.



NOTES: 1. FOR CORRECT CONTACT PRESSURE ON CLIP, ADJUST BLADES SO THEY ARE $.013 \pm .004$ WIDER IN THE CLOSED POSITION THAN IN THE OPEN POSITION. THIS DIMENSION MUST BE MEASURED ON THE OUTSIDE OF THE BLADES, ABOVE CONTACT POINTS
 2. LUBRICATE CONTACT SURFACES PER SPEC

QTY	PART	MATERIAL	ITEM	DESCRIPTION
14	-	-	-	DRIVE SCREW
13	-	-	-	NAMEPLATE
1	MP251800X	ALUM	12	LOCKWASHER 1/2"
8	-	GALV	11	BOLT 1/2-13 * 1"
8	-	GALV	10	INSULATOR TR208
2	-	-	9	INSULATOR TR205
-	2	-	8	INSULATOR TR202
-	-	-	7	CURRENT CARRYING PARTS ASSY
1	A009604	-	6	CURRENT CARRYING PARTS ASSY
-	1	A009603	5	CURRENT CARRYING PARTS ASSY
-	1	A009602	4	CURRENT CARRYING PARTS ASSY
1	086416SXG	GALV	3	MOUNTING BASE 23 KV
-	1	086415SXG	2	MOUNTING BASE 15 KV
-	1	086414SXG	1	MOUNTING BASE 7.5 KV

QTY	PART	MATERIAL	ITEM	DESCRIPTION
23 KV				
15 KV				
7.5 KV				
CUSTOMER P.O.#				SERIAL NUMBER:
REVISING				DATE
BY				CHK
REWORKED IN CAD				12-91
REMOVED GROOVE FROM CONN. PAD				01-94
ADDED DIMENSIONS				7-1-97
REV BLADE DETAIL, EOM 3276				10-8-02
DRAWING #				D-82000-2
BY				12-17-91
APP'D BY				11-5-02
SHEET 1 OF 1				

BT2 HOOKSTICK SWITCH
 7.5, 15 OR 23 KV RATINGS

TURNER ELECTRIC CORPORATION
 FAIRVIEW HEIGHTS, IL., USA